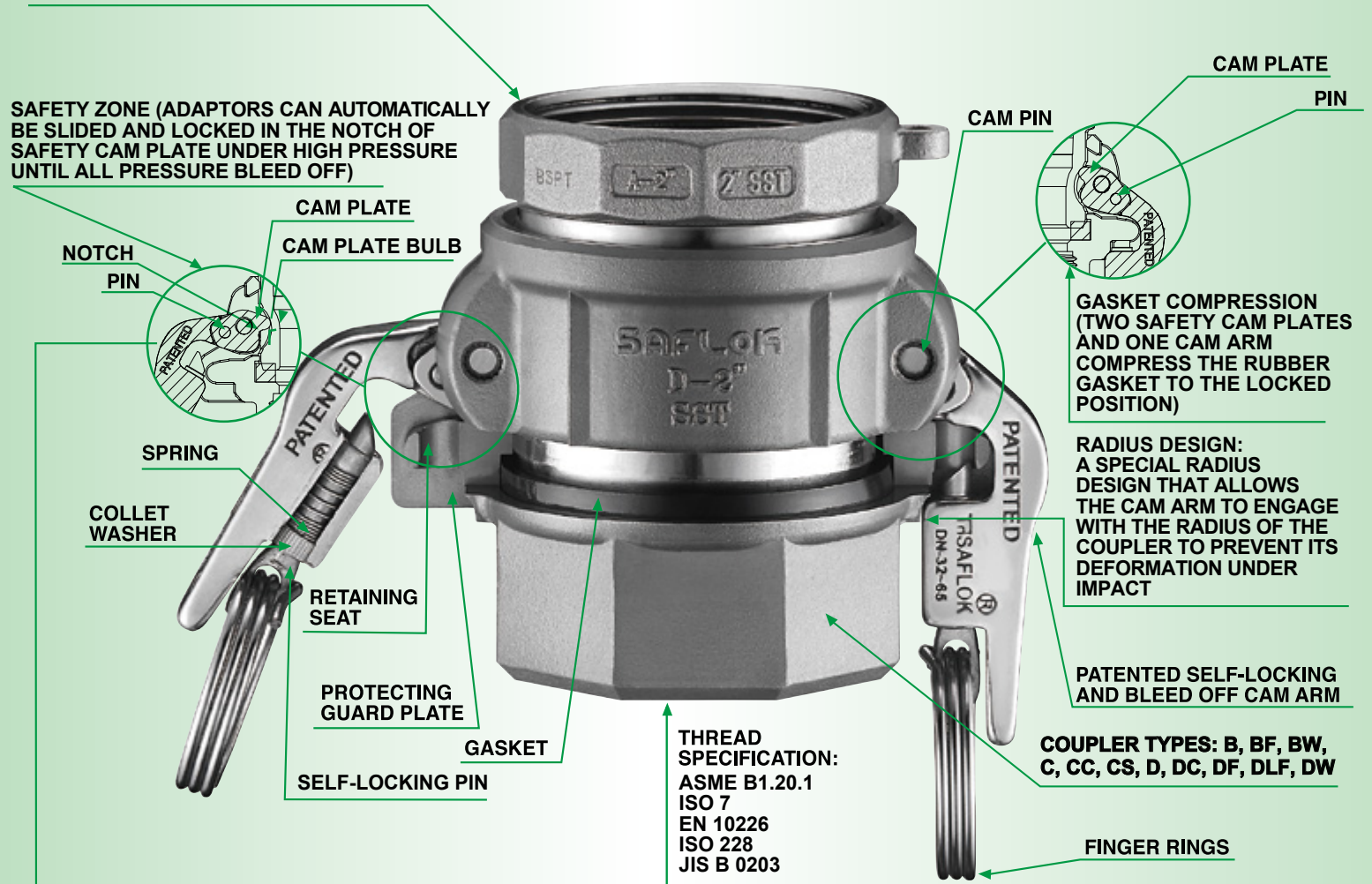
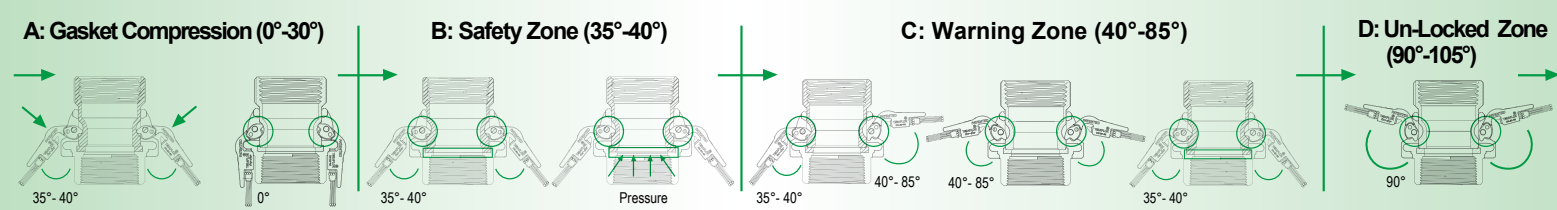


COMPONENTS OF THE TriSAFLOK® Self-Locking Bleed Off Coupler

ADAPTOR TYPES: A, AF, DP, E, EC, F, FF



The Movement of Self-locking Cam Arm With Safety Cam Plate and Special Bulb



NO NEW TECHNIQUES, METHODS OR ADDITIONAL TOOLS ARE REQUIRED TO USE THIS PRODUCT. CLOSE AND LOCK THE ADAPTOR WITH ONE SMOOTH MOTION---JUST LIKE A REGULAR QUICK COUPLER.

360° ROTATION

The 360° swivel feature helps prevent the hose from kinking and twisting.

INTERCHANGEABLE SHANKS

Customers can select from our standard shanks, entrust us to manufacture shanks that meet their material and design specifications or make their own shanks for budget control and specific applications.

Available standard shanks: CCS, CLM and CLS.

ADAPTORS FOR COUPLERS

Different types of adaptors compliant with A-A-59326 (MIL-C-27487) and EN 14420-7 are available, such as A, E, F, DP, EC.

TEFLON ENCAPSULATED GASKET OR RUBBER GASKET

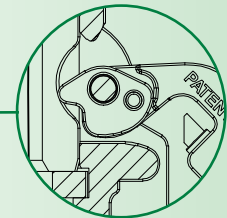
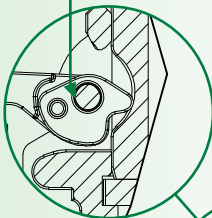
CCS

CLM

CLS

SAFETY CAM PLATES WITH SPECIAL BULBS

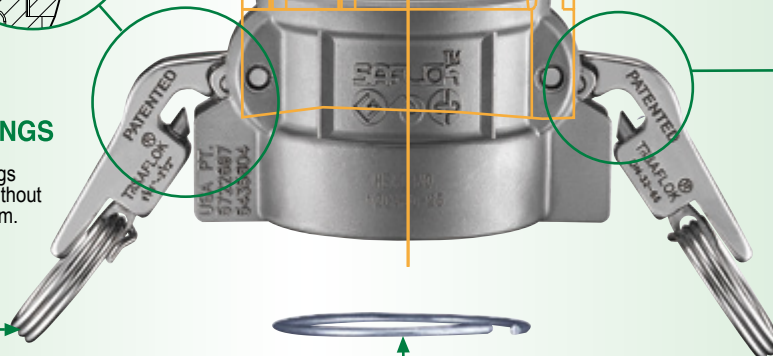
Operators can quickly and securely move both cam arms between 40° - 85° back to the Safety Zone (35° - 40°) under best safety protection.



PATENTED FINGER RINGS

* Stainless steel spring finger rings makes secure closing easier without getting trapped under a cam arm.

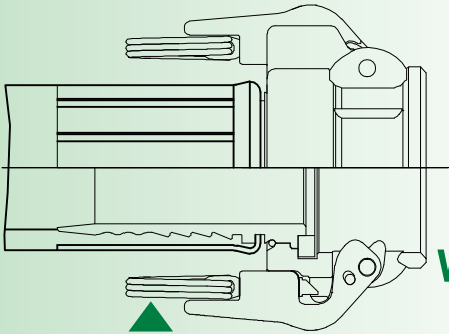
* Release the locking pin with an easy tug with the finger ring.



LOCK SPRING

PATENTED SELF-LOCKING AND BLEED OFF CAM ARMS

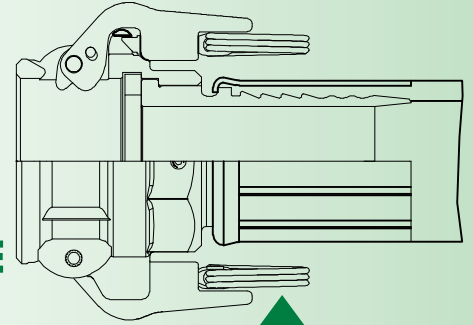
The self-locking cam arms, which contain the safety plates with special bulbs, engage in one firm motion from their open position. When closing/opening the cam arms, the safety plates could help prevent accidental disconnection under high pressure.



CS TYPE
with bleed off features

TriSAFLOK® WITH 360° ROTATIONAL FEATURE

CS AND DLF coupler bodies are available with a variety of standard shanks or customized shanks based on the customers' specifications.



DLF TYPE
with bleed off features

TriSAFLOK® - CS/CLS



3/4" ~ 4"

1/2" ~ 4"

TriSAFLOK® - CS/CCS



3/4" ~ 4"

3/4" ~ 4"

TriSAFLOK® - CS/CLM



3/4" ~ 4"

3/4" ~ 4"

TriSAFLOK® - DLF/DKS



AS PER A-A-59326

TriSAFLOK® - A ADAPTOR (NPT, BSPP, BSPT)



DN	INCH
15	1/2
20	3/4
25	1
32	1 1/4
40	1 1/2
50	2
65	2 1/2
80	3
100	4

TriSAFLOK® - E ADAPTOR



DN	INCH
15	1/2
20	3/4
25	1
32	1 1/4
40	1 1/2
50	2
65	2 1/2
80	3
100	4

TriSAFLOK® - B COUPLER (NPT, BSPT)



DN	INCH
15	1/2
20	3/4
25	1
32	1 1/4
40	1 1/2
50	2
65	2 1/2
80	3
100	4

TriSAFLOK® - F ADAPTOR (NPT, BSPT)



DN	INCH
15	1/2
20	3/4
25	1
32	1 1/4
40	1 1/2
50	2
65	2 1/2
80	3
100	4

TriSAFLOK® - C COUPLER



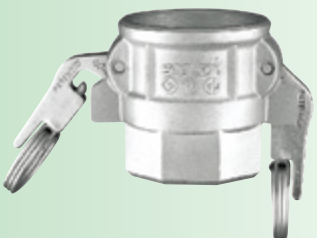
DN	INCH
15	1/2
20	3/4
25	1
32	1 1/4
40	1 1/2
50	2
65	2 1/2
80	3
100	4

TriSAFLOK® - DC DUST CAP



DN	INCH
20	3/4
25	1
32	1 1/4
40	1 1/2
50	2
65	2 1/2
80	3
100	4

TriSAFLOK® - D COUPLER (NPT, BSPP, BSPT)



DN	INCH
15	1/2
20	3/4
25	1
32	1 1/4
40	1 1/2
50	2
65	2 1/2
80	3
100	4

TriSAFLOK® - DP DUST PLUG



DN	INCH
20	3/4
25	1
32	1 1/4
40	1 1/2
50	2
65	2 1/2
80	3
100	4

AS PER EN 14420-7

TriSAFLOK® - AF ADAPTOR (BSP)



DN	INCH
15	1/2
20	3/4
25	1
32	1 1/4
40	1 1/2
50	2
65	2 1/2
80	3
100	4

TriSAFLOK® - EC ADAPTOR



DN	INCH
15	1/2
20	3/4
25	1
32	1 1/4
40	1 1/2
50	2
65	2 1/2
80	3
100	4

TriSAFLOK® - BF COUPLER (BSPT)



DN	INCH
15	1/2
20	3/4
25	1
32	1 1/4
40	1 1/2
50	2
65	2 1/2
80	3
100	4

TriSAFLOK® - FF ADAPTOR (BSPT)



DN	INCH
15	1/2
20	3/4
25	1
32	1 1/4
40	1 1/2
50	2
65	2 1/2
80	3
100	4

TriSAFLOK® - CC COUPLER



DN	INCH
15	1/2
20	3/4
25	1
32	1 1/4
40	1 1/2
50	2
65	2 1/2
80	3
100	4

TriSAFLOK® - DC DUST CAP



DN	INCH
20	3/4
25	1
32	1 1/4
40	1 1/2
50	2
65	2 1/2
80	3
100	4

TriSAFLOK® - DF COUPLER (BSP)



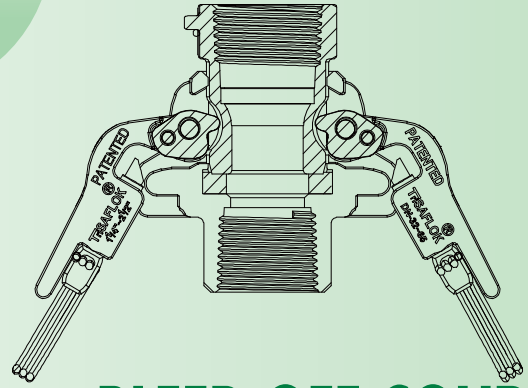
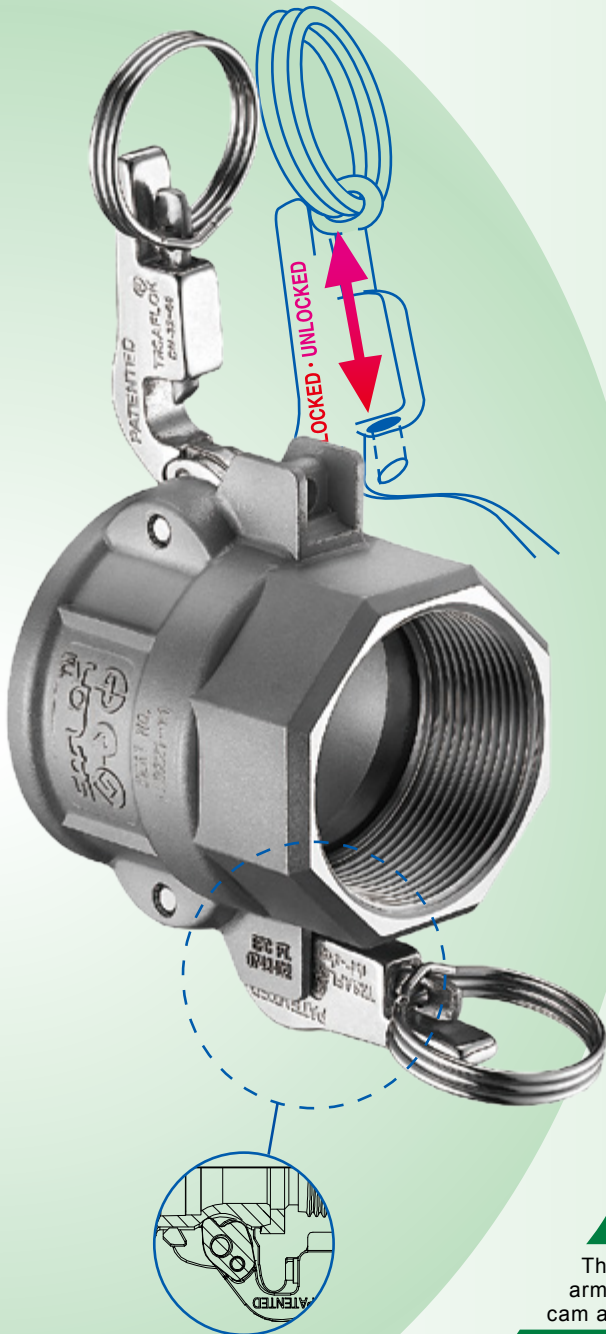
DN	INCH
15	1/2
20	3/4
25	1
32	1 1/4
40	1 1/2
50	2
65	2 1/2
80	3
100	4

TriSAFLOK® - DP DUST PLUG



DN	INCH
20	3/4
25	1
32	1 1/4
40	1 1/2
50	2
65	2 1/2
80	3
100	4

**NEW PATENTED
AND INNOVATIVE PRODUCT**



TriSAFLOK® BLEED OFF COUPLER

Prevent Against Accidental Disconnection

All TriSAFLOK® products are manufactured per A-A-59326 (MIL-C-27487) & EN 14420-7 specifications with our patented bleed off feature and self-locking cam arm. TriSAFLOK® provides the best protection for users and environment.

SPECIAL CHARACTERISTICS

PREVENT AGAINST ACCIDENTAL DISENGAGEMENT UNDER RESIDUAL PRESSURE

The TriSAFLOK® self-locking bleed off coupler functions like a regular cam arm coupler SAFLOK® and self-locking cam arm coupler. However, its additional safety cam plate with a special bulb offers the best safety protection as long as at least one of the cam arms is in the 35°-85° position. Under such condition, the two fittings still remain semi-locked. This patented safety cam plate and self-locking pin in each cam arm automatically engages into the body of the coupler to help prevent accidental disengagement due to vibration or snag of cam arm on other equipment when hoses are moved.

UNIQUE FEATURE OF SAFETY CAM PLATE WITH A SPECIAL BULB

The TriSAFLOK® safety cam plate with a special bulb could provide the best safety protection when the cam arm is released to 35° - 85° position. Both cam arms in the Safety Zone (35° - 40°) are semi-locked, which prevent accidental and fierce burst of pressurized fluid or gas under high pressure. If one of cam arms is released to over 40° position and hardly movable, it is a warning sign showing residual pressure in the hose or equipment system. Operators need to release this cam arm back to the Safety Zone (35° - 40°).

SELF-LOCKING BLEED OFF FEATURE

When an operator accidentally opens the regular coupling body with the adaptor (not TriSAFLOK® coupler) under high pressure, it may cause serious damage to the operator and environment. Compared with regular couplers, TriSAFLOK® could provide the best safety protection to the operator and environment. When both cam arms of TriSAFLOK® couplers are released to 35° - 40° position under high pressure, it prevents accidental and fierce burst of pressurized fluid or gas. When both cam arms of TriSAFLOK® couplers are released to 35° - 40° position, the coupler may slowly bleed off the residual pressure or liquid to prevent further problems. The TriSAFLOK® coupler may even disallow bleeding off residual pressure or liquid under high pressure.

VIRTUALLY EFFORTLESS

The TriSAFLOK® coupler functions just like a regular cam arm coupler with locking cam arms. When both cam arms are in the 35° - 40° position, it simultaneously compresses both cam arms to the locked position.

SPECIAL SAFETY ZONE DESIGN

The TriSAFLOK® bleed off coupler helps the operator to re-check if there is any residual pressure in the hose or equipment system when one of cam arms is released to 35° - 85° position, and thus can prevent the dangerous release of fluids when the equipment system is still under high pressure.

The TriSAFLOK® remains in a semi-locked position when both cam arms are released to 35° - 40° position. Such position is called "Safety Zone." That is, when both cam arms are in the 35° - 40° position, they should be hardly movable. This is a safe position, which avoids the accidental and fierce burst of pressurized fluid or gas under high pressure.

For normal situation without inner pressure, the rubber gasket inside the TriSAFLOK® coupler is not under compression, and each cam arm is easily movable and the adaptor can be easily swiveled at 35° - 40°.

info@waterson.com

Skype:watsoncorporation

Tel:886-5-557-6699 / Fax:886-5-557-3399

No.11,Dougong 12th Rd., Douliou city,

Yunlin County 64049, Taiwan

www.waterson.com

www.trisaflok.com

When closing the TriSAFLOK[®] bleed off coupler, the cam arms should both be in the 35°- 40° position, and then be compressed simultaneously by the user.

The patented finger rings won't get trapped under a cam arm, making secure closing much easier.

Safety cam plates with special bulbs provide the best safety protection, which allow operators to move both cam arms back to Safety Zone (35°- 40°) quickly and securely.

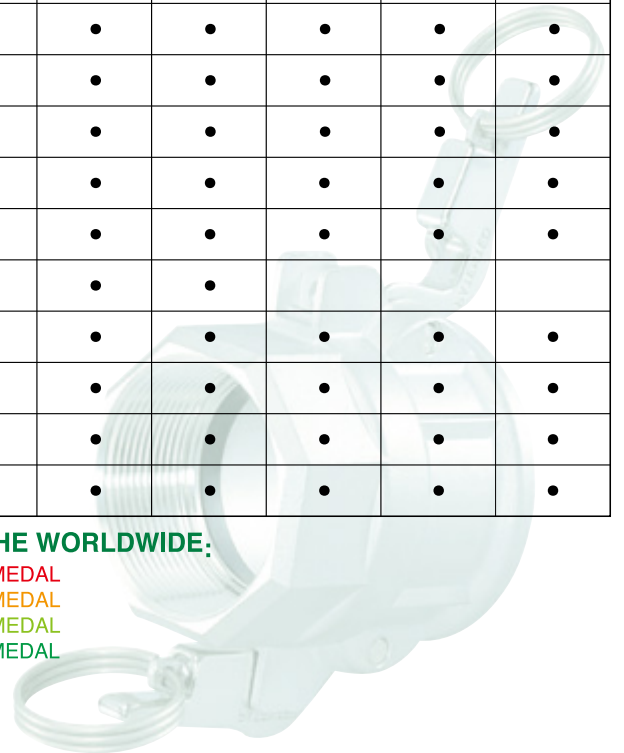
The patented self-locking cam arm is guaranteed for life against breakage.

Stainless steel TriSAFLOK[®] bleed off couplers and caps are available in the following sizes and configurations:

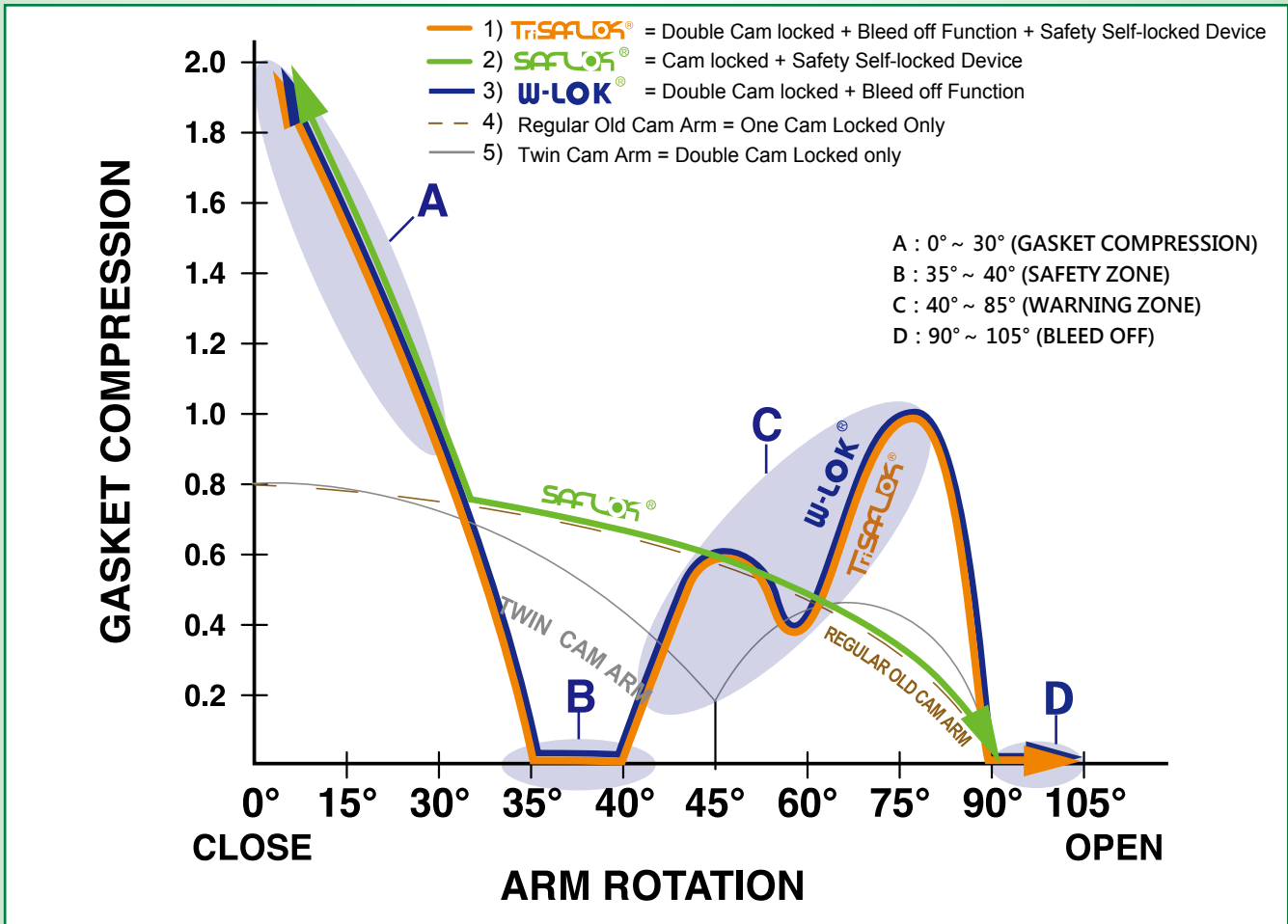
TriSAFLOK [®] Coupler and Caps	Available sizes are as per A-A-59326(MIL-C-27487) and EN 14420-7									
	1/2"	3/4"	1"	1 1/4"	1 1/2"	2"	2 1/2"	3"	4"	
TriSAFLOK[®] - B A-A-59326 Male NPT,BSPT	•	•	•	•	•	•	•	•	•	
TriSAFLOK[®] - BF EN 14420-7 Male BSPT	•	•	•	•	•	•	•	•	•	
TriSAFLOK[®] - BW Welding Connection	•	•	•	•	•	•	•	•	•	
TriSAFLOK[®] - C A-A-59326 Hose Shank	•	•	•	•	•	•	•	•	•	
TriSAFLOK[®] - CC EN 14420-7 Hose Shank	•	•	•	•	•	•	•	•	•	
TriSAFLOK[®] - CS Swivel Hose Shank	•	•	•	•	•	•	•	•	•	
TriSAFLOK[®] - DLF Swivel Hose Shank	•	•	•	•	•	•	•	•	•	
TriSAFLOK[®] - D A-A-59326 Female NPT, BSPT, BSPP	•	•	•	•	•	•	•	•	•	
TriSAFLOK[®] - DC A-A-59326 and EN 14420-7 Dust Cap	•	•	•	•	•	•	•	•	•	
TriSAFLOK[®] - DF EN 14420-7 Female BSPP	•	•	•	•	•	•	•	•	•	
TriSAFLOK[®] - DW EN 14420-7 Welding Connection	•	•	•	•	•	•	•	•	•	

WE HAVE ALREADY WON THE FOLLOWING AWARDS IN THE WORLDWIDE:

1. Inpex XI Invention/New Product Exposition (1995) in USA **GOLD MEDAL**
2. 24TH Salon Internation Des Inventions Geneve 1996 **GOLD MEDAL**
3. Golden Brain Award in the Nation-Wide Invention (Taiwan) 1996 **GOLD MEDAL**
4. Beijing International Exhibition of Invention (China)1996 **GOLD MEDAL**
5. Japanese Good Design "G" Mark in 1995 Approved By Japan
6. Excellent Product Design Award in 1995 Approved By R.O.C.
7. Small and Medium Enterprise Innovation Research Award 1995 By R.O.C.
8. Good Design Product 1995 Approved By CETDC



WHEN FAILURE IS NOT AN OPTION, Waterson® COUPLERS SHOULD BE YOUR ONLY CHOICE FOR APPLICATIONS IN THE CHEMICAL, PETROCHEMICAL, PHARMACEUTICAL AND SANITARY INDUSTRIES.



A **TriSAFLOK®**
COUPLERS APPLY A HIGHER GASKET COMPRESSION RATE AT 0°-30° THAN OTHER CAM ARMS COUPLERS.

The **TriSAFLOK®** bleed off coupler has a patented bleed off feature with self-locking cam arm. When a user simultaneously compresses both cam arms to the locked position, the coupler will stay locked until it is opened by the user. **TriSAFLOK®** provides the best protection for the users and environment.

© The detailed drawings of A/B/C/D zones are shown on "COMPONENTS" page

B **TriSAFLOK®**
PATENTED TriSAFLOK® COUPLER WITH SAFETY CAM PLATES AND SPECIAL BULBS PROVIDE THE BEST SAFETY PROTECTION FOR OPERATORS TO MOVE BOTH CAM ARMS UNDER 85° QUICKLY AND SECURELY BACK TO THE SAFETY ZONE (35°-40°).

The **TriSAFLOK®** safety cam plate with a special bulb could provide the best safety protection when the cam arm is released to 35°-85° positions. When both cam arms are in Safety Zone (35°-40°), they are semi-locked, which prevent accidental and fierce burst of pressurized fluid or gas under high pressure. If one of cam arms is released to over 40° position and is hardly movable, it is a warning sign showing residual pressure in the hose or equipment system. Operators need to release this cam arm back to Safety Zone (35°-40°) to avoid any accidental and fierce burst of pressurized fluid or gas under high pressure. ONLY under 0.1 bar pressure (nearly no compression to the rubber gasket inside the coupler), the coupler may bleed off residual pressure or liquid when both cam arms are released to 35°-40° position. The operator can recompress the cam arms to the locked position.

C **TriSAFLOK®**
ANTI-COMPRESSION ACTION AT 40° - 85°: A WARNING ZONE. WARNING ZONE (40° - 85°) MEANS THAT THE COUPLER IS NEAR THE UNLOCKED POSITION.

When each cam arm of **TriSAFLOK®** coupler is released to 40°-85°, the cam arm is hardly removable, which is a warning sign showing residual pressure in the hose. The operators should quickly and securely move both cam arms back to the Safety Zone (35°-40°). The position within 40°-85° is known as "Warning Zone." When one of cam arm is released to over 90°, the coupler will allow pressurized fluid to be bled off while keeping itself semi-locked.

D **TriSAFLOK®**
WHEN BOTH CAM ARMS ARE RELEASED TO OVER 90°, THE COUPLER WILL BE UNLOCKED.