

## ALL COMPONENT PARTS OF SAFLOK<sup>®</sup> QUICK COUPLER<sup>®</sup>

**ADAPTOR**  
 TYPES: A, AF, DP, E, EC, F, FF

**CAM PIN**

**GASKET**

**RETAINING SEAT**

**PATENTED LOCKING CAM ARM**

**COLLECT WASHER**

**SPRING**

**SAFETY POSITION ROD**

**PROTECTING GUARD PLATE**

**THREAD SPECIFICATION:**  
 ASME B1.20.1  
 ISO 7  
 EN 10226  
 ISO 228  
 JIS B 0203

**COUPLER TYPES: B, BF, BW, C, CC, CS, D, DC, DF, DLF, DW**

**FINGER RINGS**

**THE USER DOES NOT NEED TO LEARN NEW TECHNIQUE  
 NEW METHOD OR ANY ADDITIONAL TOOL TO USE THIS PRODUCT WITH ONE  
 SMOOTH MOTION. — JUST LIKE A REGULAR QUICK COUPLING.**

### 360° ROTATION

The 360° swivel feature helps prevent the hose from kinking and twisting.

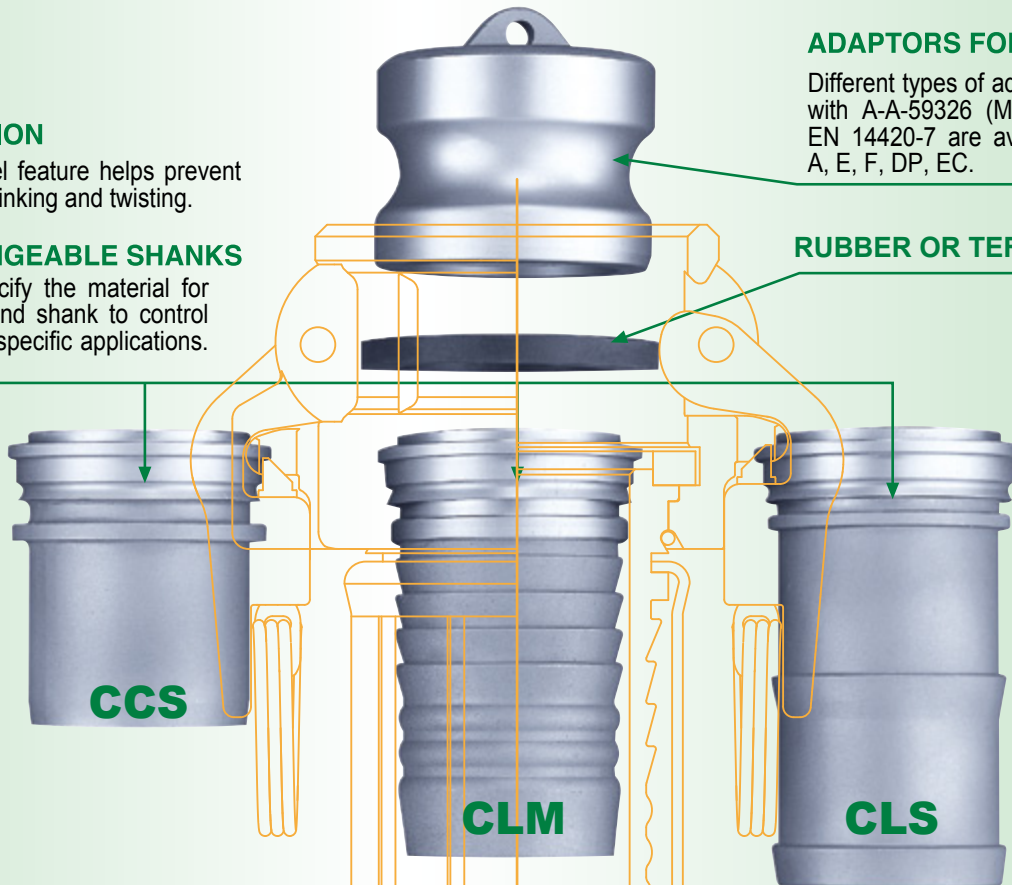
### INTERCHANGEABLE SHANKS

Users can specify the material for coupler body and shank to control cost and meet specific applications.

### ADAPTORS FOR COUPLERS

Different types of adaptors compliant with A-A-59326 (MIL-C-27487) and EN 14420-7 are available, such as A, E, F, DP, EC.

### RUBBER OR TEFLON GASKET



**CCS**

**CLM**

**CLS**

### FINGER RINGS

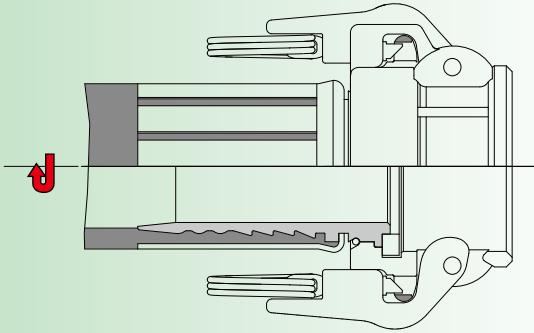
\* Stainless steel spring finger rings won't get trapped under an arm making secure closing easier.

\* Release the locking with an Easy tug on the finger rings.

### PATENTED LOCKING CAM ARMS

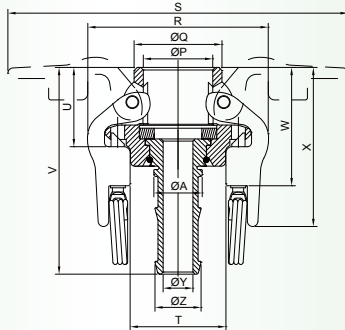
The self-locking arms prevent opening due to negligence or accident when the user engages both arms in a simple single motion from their 45 degree angle.

**SPRING LOCKED**



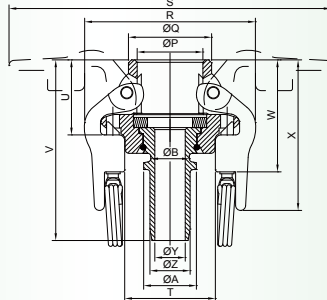
## THE **NEW** PATENTED SAFLOK<sup>®</sup> COUPLER WITH 360° ROTATIONAL FEATURE.

### SAFLOK<sup>®</sup> - CS/CLS



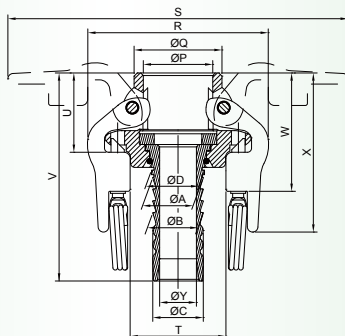
SIZE	INCH	3/4"	1"	1 1/4"	1 1/2"	2"	2 1/2"	3"	4"
	DN	20	25	32	40	50	65	80	100
ØP		32	37	46	54	64	77	92	120
ØQ		41	46	58	66	79	89	110	141
R		83	91	105	112	122	134	154	182
S		167	178	197	204	214	226	253	281
T		44	49	60	68	77	89	110	138
U		33	40	46	46	49	51	56	56
V		92	106	111	129	148	144	168	177
W		55	63	68	69	71	73	77	77
X		76	83	89	90	92	94	98	98
ØY		14	19	25	31	42	56	67	89
ØZ		22	28	34	40	53	67	80	105
ØA		22	28	35	41	54	67	80	108

### SAFLOK<sup>®</sup> - CS/CCS



SIZE	INCH	3/4"	1"	1 1/4"	1 1/2"	2"	2 1/2"	3"	4"
	DN	20	25	32	40	50	65	80	100
ØP		32	37	46	54	64	77	92	120
ØQ		41	46	58	66	79	89	110	141
R		83	91	105	112	122	134	154	182
S		167	178	197	204	214	226	253	281
T		44	49	60	68	77	89	110	138
U		33	40	46	46	49	51	56	56
V		84	92	97	98	111	127	133	177
W		55	63	68	69	71	73	77	77
X		76	83	89	90	92	94	98	98
ØY		15	21	28	33	45	58	70	94
ØZ		20	25	32	38	50	63	75	100
ØA		26	31	37	44	56	69	83	110
ØB		19	25	32	38	50	63	75	100

### SAFLOK<sup>®</sup> - CS/CLM



SIZE	INCH	3/4"	1"	1 1/4"	1 1/2"	2"	2 1/2"	3"	4"
	DN	20	25	32	40	50	65	80	100
ØP		32	37	46	54	64	77	92	120
ØQ		41	46	58	66	79	89	110	141
R		83	91	105	112	122	134	154	182
S		167	178	197	204	214	226	253	281
T		44	49	60	68	77	89	110	138
U		33	40	46	46	49	51	56	56
V		92	99	105	109	140	143	152	181
W		55	63	68	69	71	73	77	77
X		76	83	89	90	92	94	98	98
ØY		14	20	25	32	42	56	66	89
ØA		20	27	33	40	52	65	78	103
ØB		20	27	33	40	52	65	78	103
ØC		20	27	33	40	50.5	65	78	103
ØD		23	29	35	41	54	67	79	110

XX indicates that a metal selection must be designated when ordering. The first XX option is for coupler body, the second is for shank.

All stainless steel couplers come with stainless steel arms, bronze and aluminum couplers come with bronze arms unless otherwise requested.

## AS PER A-A-59326

### SAFLOK<sup>®</sup> - A ADAPTOR (NPT,BSPP,BSPT)



DN	INCH
15	1/2
20	3/4
25	1
32	1 1/4
40	1 1/2
50	2
65	2 1/2
80	3
100	4

### SAFLOK<sup>®</sup> - E ADAPTOR



DN	INCH
15	1/2
20	3/4
25	1
32	1 1/4
40	1 1/2
50	2
65	2 1/2
80	3
100	4

### SAFLOK<sup>®</sup> - B COUPLER (NPT,BSPT)



DN	INCH
15	1/2
20	3/4
25	1
32	1 1/4
40	1 1/2
50	2
65	2 1/2
80	3
100	4

### SAFLOK<sup>®</sup> - F ADAPTOR (NPT,BSPT)



DN	INCH
15	1/2
20	3/4
25	1
32	1 1/4
40	1 1/2
50	2
65	2 1/2
80	3
100	4

### SAFLOK<sup>®</sup> - C COUPLER



DN	INCH
15	1/2
20	3/4
25	1
32	1 1/4
40	1 1/2
50	2
65	2 1/2
80	3
100	4

### SAFLOK<sup>®</sup> - DC DUST CAP



DN	INCH
20	3/4
25	1
32	1 1/4
40	1 1/2
50	2
65	2 1/2
80	3
100	4

### SAFLOK<sup>®</sup> - D COUPLER (NPT,BSPP,BSPT)



DN	INCH
15	1/2
20	3/4
25	1
32	1 1/4
40	1 1/2
50	2
65	2 1/2
80	3
100	4

### SAFLOK<sup>®</sup> - DP DUST PLUG



DN	INCH
20	3/4
25	1
32	1 1/4
40	1 1/2
50	2
65	2 1/2
80	3
100	4

## AS PER EN 14420-7

### SAFLOK® - AF ADAPTOR (BSPP)



DN	INCH
15	1/2
20	3/4
25	1
32	1 1/4
40	1 1/2
50	2
65	2 1/2
80	3
100	4

### SAFLOK® - EC ADAPTOR



DN	INCH
15	1/2
20	3/4
25	1
32	1 1/4
40	1 1/2
50	2
65	2 1/2
80	3
100	4

### SAFLOK® - BF COUPLER (BSPT)



DN	INCH
15	1/2
20	3/4
25	1
32	1 1/4
40	1 1/2
50	2
65	2 1/2
80	3
100	4

### SAFLOK® - FF ADAPTOR (BSPT)



DN	INCH
15	1/2
20	3/4
25	1
32	1 1/4
40	1 1/2
50	2
65	2 1/2
80	3
100	4

### SAFLOK® - CC COUPLER



DN	INCH
15	1/2
20	3/4
25	1
32	1 1/4
40	1 1/2
50	2
65	2 1/2
80	3
100	4

### SAFLOK® - DC DUST CAP



DN	INCH
20	3/4
25	1
32	1 1/4
40	1 1/2
50	2
65	2 1/2
80	3
100	4

### SAFLOK® - DF COUPLER (BSPP)



DN	INCH
15	1/2
20	3/4
25	1
32	1 1/4
40	1 1/2
50	2
65	2 1/2
80	3
100	4

### SAFLOK® - DP DUST PLUG



DN	INCH
20	3/4
25	1
32	1 1/4
40	1 1/2
50	2
65	2 1/2
80	3
100	4



## SAFLOK<sup>®</sup> QUICK COUPLER

### Prevent Against Accidental Disconnection

As per A-A-59326 (MIL-C-27487) & EN 14420-7 specification with our patented safety locking cam arm. **SAFLOK**<sup>®</sup> always make the best safety for all people and environment until the upcoming new era.

## SPECIAL CHARACTERISTICS

### SAFETY IS SO VERY IMPORTANT FOR ALL PEOPLE

It improves the safety of coupling in the transportation of high value and High risk liquid chemicals. It prevents accidental disconnection or disaster that might happen due to the negligence of human operation or the natural abrasion of the metal locking cam face.

### LOCKS AUTOMATICALLY WHEN YOU CLOSE THE ARMS

Close the **SAFLOK**<sup>®</sup> quick coupler with one smooth motion—just like a regular quick coupling. It locks itself automatically and stays locked until you open it.

### VIRTUALLY EFFORTLESS

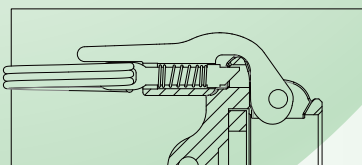
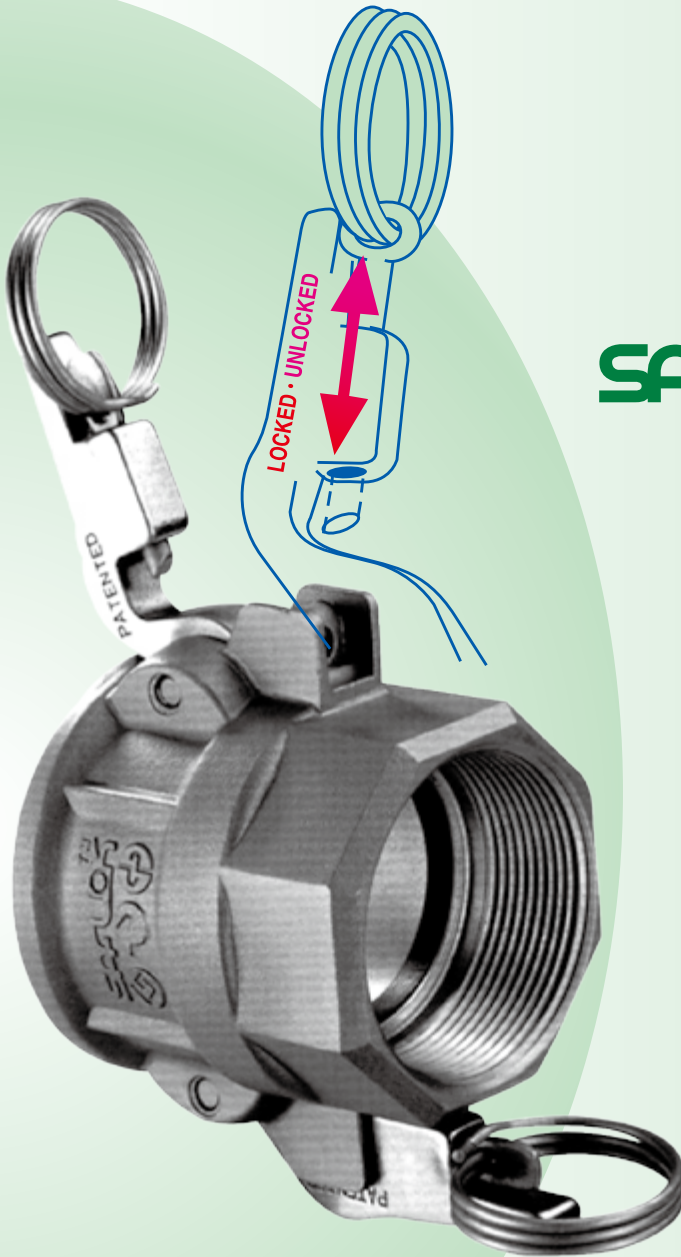
You close the **SAFLOK**<sup>®</sup> coupler's patented arms normally and they lock themselves. You release the locking with an easy tug on the finger rings. Every time your operators open or close on **SAFLOK**<sup>®</sup> coupler, they save time and effort. And you save worry.

### LESS RISK, LESS HASSLE

You shall like the **SAFLOK**<sup>®</sup> coupler because its self-locking action reduces your risk automatically. Your operators will like it because it works just like a regular quick coupler-no hassle, no problem.

### COMPATIBLE WITH OTHER QUICK COUPLING

And it's in stock now in all popular sizes from 1/2" (DN-15) to 4" (DN-100).



**WORLD'S PATENT**

The special finger rings that won't get trapped under an arm, making secure closing much easier.

Automatic locking in a coupler that works just like a regular quick coupler.

The patented locking cam arm guaranteed for life against breakage.

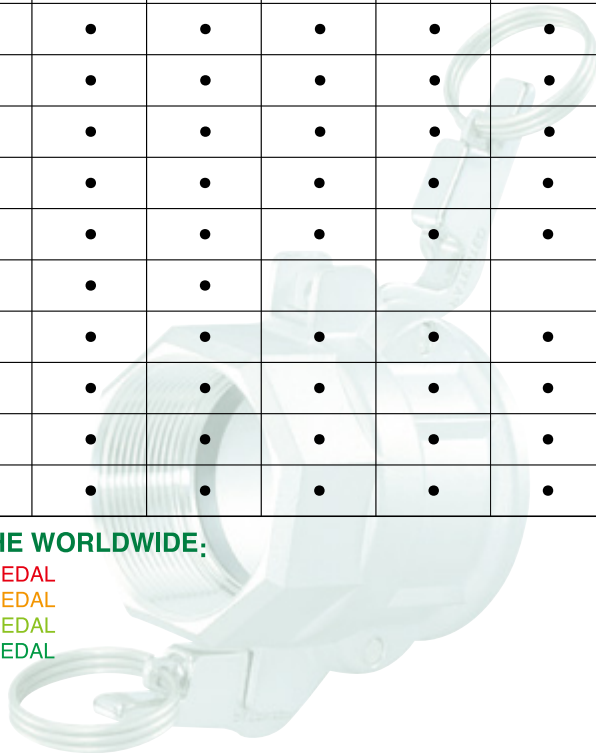
Stainless steel **SAFLOK**® couplers and caps are available in the following sizes and configurations:

SAFLOK® Coupler and Caps	Available sizes are as per A-A-59326( MIL-C-27487 ) and EN 14420-7									
	1/2"	3/4"	1"	1 1/4"	1 1/2"	2"	2 1/2"	3"	4"	
<b>INCH</b>	1/2"	3/4"	1"	1 1/4"	1 1/2"	2"	2 1/2"	3"	4"	
<b>DN</b>	15	20	25	32	40	50	65	80	100	
<b>SAFLOK - B A-A-59326</b> Male NPT,BSPT	•	•	•	•	•	•	•	•	•	
<b>SAFLOK - BF EN 14420-7</b> Male BSPT	•	•	•	•	•	•	•	•	•	
<b>SAFLOK - BW</b> Welding Connection	•	•	•	•	•	•	•	•	•	
<b>SAFLOK - C A-A-59326</b> Hose Shank	•	•	•	•	•	•	•	•	•	
<b>SAFLOK - CC EN 14420-7</b> Hose Shank	•	•	•	•	•	•	•	•	•	
<b>SAFLOK - CS</b> Swivel Hose Shank	•	•	•	•	•	•	•	•	•	
<b>SAFLOK - DLF</b> Swivel Hose Shank	•	•	•	•	•	•	•	•	•	
<b>SAFLOK - D A-A-59326</b> Female NPT, BSPT, BSPP	•	•	•	•	•	•	•	•	•	
<b>SAFLOK - DC A-A-59326</b> and EN 14420-7 Dust Cap	•	•	•	•	•	•	•	•	•	
<b>SAFLOK - DF EN 14420-7</b> Female BSPP	•	•	•	•	•	•	•	•	•	
<b>SAFLOK - DW EN 14420-7</b> Welding Connection	•	•	•	•	•	•	•	•	•	

**WE HAVE ALREADY WON THE FOLLOWING AWARDS IN THE WORLDWIDE:**

1. Inpex XI Invention/New Product Exposition (1995) in USA
2. 24TH Salon Internation Des Inventions Geneve 1996
3. Golden Brain Award in the Nation-Wide Invention (Taiwan) 1996
4. Beijing International Exhibition of Invention (China)1996
5. Japanese Good Design "G" Mark in 1995 Approved By Japan
6. Excellent Product Design Award in 1995 Approved By R.O.C.
7. Small and Medium Enterprise Innovation Research Award 1995 By R.O.C.
8. Good Design Product 1995 Approved By CETDC

GOLD MEDAL  
 GOLD MEDAL  
 GOLD MEDAL  
 GOLD MEDAL



# Certificate

Standard **ISO 9001:2015**

Certificate Registr. No. **01 100 822 064112**

Certificate Holder:



**Waterson Corp.**

No. 11, Dougong 12th Rd., Douliou City,  
Yunlin Hsien 640, Taiwan, R.O.C.

Scope:

- Design/Development, Manufacturing and Sales of**
- A. **Metal Investment Casting Parts for Hydraulic System**  
Cam Lock Safe Quick Couplers and Adapters "SAFLOK",  
"Tri-SAFLOK", Clamps and Ferrules, Butterfly Valves, Ball  
Valves "WAT", Lock Cylinders and Locks "W-LOK"
  - B. **Parts, Components and Accessories for Office Furniture**
  - C. **Auto Door Closer Hinge, Friction Hinge for LCD Monitor**
  - D. **Complete Bicycle, Bicycle Parts, the Components and  
Accessories**
  - E. **Metal Parts for Medical Devices**
  - F. **Spin Mop Bucket Sets**

Proof has been furnished by means of an audit that the requirements of ISO 9001:2015 are met.

Validity:

The certificate is valid from 2018-08-03 until 2021-08-02.  
It remains valid subject to satisfactory surveillance audits.

2018-06-21

A handwritten signature in blue ink, appearing to read "TUV Rheinland", is written over a horizontal line.

TUV Rheinland Taiwan Ltd.  
11F, No. 758, Sec. 4, Bade Rd.,  
Taipei 105, Taiwan



Management System  
Certification  
MS007

www.certipedia.com  
ID 0910079107