



Stainless Steel Security Solution



ZERTIFIKAT

**Die TÜV CERT-Zertifizierungsstelle
der TÜV Anlagentechnik GmbH**

Unternehmensgruppe TÜV Rheinland/Berlin-Brandenburg

bescheinigt gemäß TÜV CERT-Verfahren, daß das Unternehmen



Waterson Corp.

Office: 8F, No. 428, Wu Chuan S. Road, Taichung City 402, Taiwan.
Factory: No. 459, Ta Li Road, Ta Li City, Taichung Hsien 412, Taiwan.

für den Geltungsbereich

Design/Entwicklung, Herstellung und Verkauf von Feinguß-Metallprodukten für:

- A. Nockenschlüssige sichere Schnellkopplungen und Verbindungsstücke "SAFLOK" für Hydraulik-systeme Schraubzwingen und Rohrzwingen, Schmetterlingventile und Kugelventile "WAT", Schloßzylinder und Schlösser "W-LOK"
- B. Bauteilen, Einzelteilen und Zubehör für Büromöbeln

ein Qualitätsmanagementsystem eingeführt hat und anwendet.

Durch ein Audit, Bericht Nr. **79107**

wurde der Nachweis erbracht, daß die Forderungen der

DIN EN ISO 9001:2000

erfüllt sind.

Dieses Zertifikat ist gültig bis **2004 März**

Zertifikat-Registrier-Nr. **09 100 79107**



**TÜV Rheinland/
Berlin-Brandenburg**



Köln, 2001-04-09

Erstzertifizierung 1997

TÜV CERT Zertifizierungsstelle
der TÜV Anlagentechnik GmbH



CERTIFICATE

**The TÜV CERT Certification Body
of TÜV Anlagentechnik GmbH**

TÜV Rheinland/Berlin-Brandenburg Group of Companies

certifies in accordance with TÜV CERT procedures that



Waterson Corp.

Office: 8F, No. 428, Wu Chuan S. Road, Taichung City 402, Taiwan.

Factory: No. 459, Ta Li Road, Ta Li City, Taichung Hsien 412, Taiwan.

has established and applies a quality system for

Design/Development, Manufacturing and Sales of:

- A. Metal Investment Casting Parts for Hydraulic System Cam Lock Safe Quick Couplers and Adapters "SAFLOK", Clamps and Ferrules, Butterfly Valves, Ball Valves "WAT", Lock Cylinders and Locks "W-LOK"
- B. Parts, Components and Accessories for Office Furniture

An audit was performed, Report No. **79107**

Proof has been furnished that the requirements according to

DIN EN ISO 9001:2000

are fulfilled.

The certificate is valid until **2004 March**

Certificate Registration No. **09 100 79107**

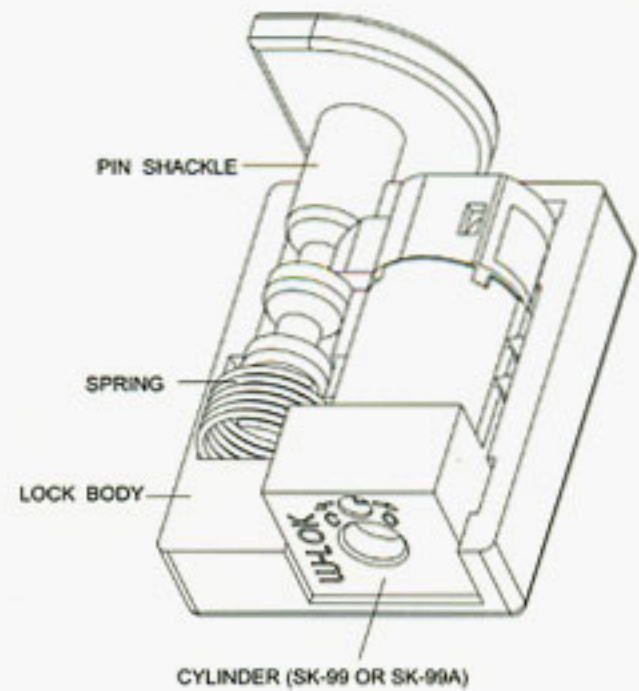


Cologne, 2001-04-09

First certification 1997

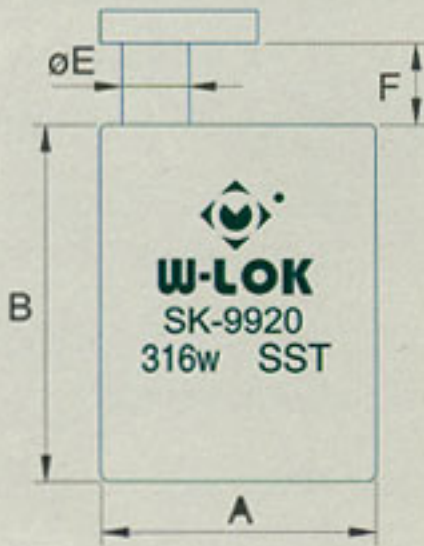
**TÜV Rheinland/
Berlin-Brandenburg**

TÜV CERT Certification Body of
TÜV Anlagentechnik GmbH



Stainless Steel Pinlok

- 100% stainless steel with brushed or polished finish.
- 100-year mechanical warranty per W-LOK's terms and conditions.
- Pin shackle has two locking positions.
- Every cylinder has a unique key code with the option of either 135-degree (for SK-99A series) or 225-degree (for SK-99 series) operating radius.
- All locks can be keyed different, alike or master keyed across all lock series.
- Removable cylinders are compatible and interchangeable within a lock series.
- Protected by worldwide patents.



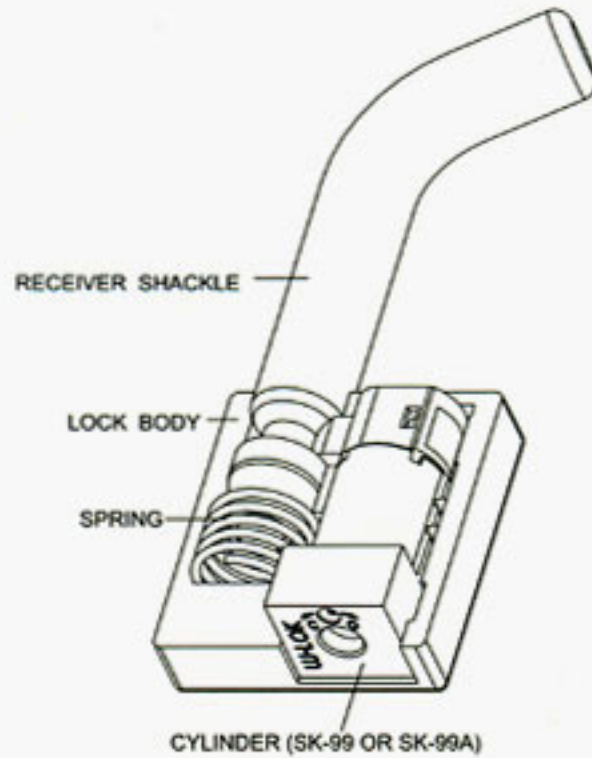
*Specifications are subject to change without notice.

UNIT: inch / (mm)

Model No.	A	B	C	ØE	F
SK-9920	1.62" (41.1)	2.13" (54.0)	1.01" (25.6)	3/8" (10.0)	0.30" (7.5)
					0.48" (12.3)
SK-9921	1.72" (43.8)	2.13" (54.0)	1.01" (25.6)	1/2" (12.7)	0.30" (7.5)
					0.48" (12.3)

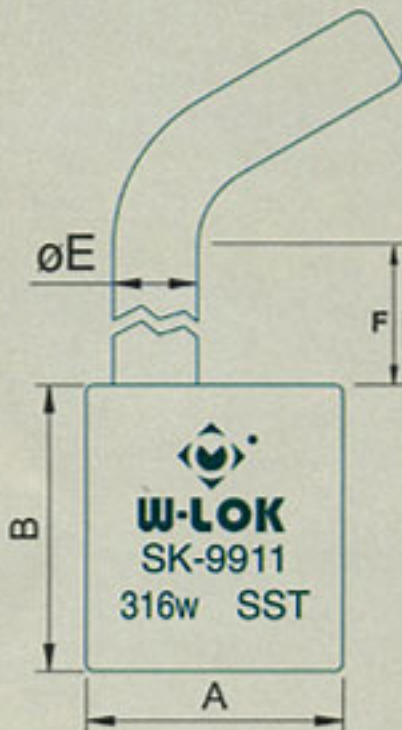
*OEM or special spec. & material as per your request.





Stainless Steel Trailerlok

- 100% stainless steel with brushed or polished finish.
- 100-year mechanical warranty per W-LOK's terms and conditions.
- Every cylinder has a unique key code with the option of either 135-degree (for SK-99A series) or 225-degree (for SK-99 series) operating radius.
- All locks can be keyed different, alike or master keyed across all lock series.
- Removable cylinders are compatible and interchangeable within a lock series.
- Protected by worldwide patents.

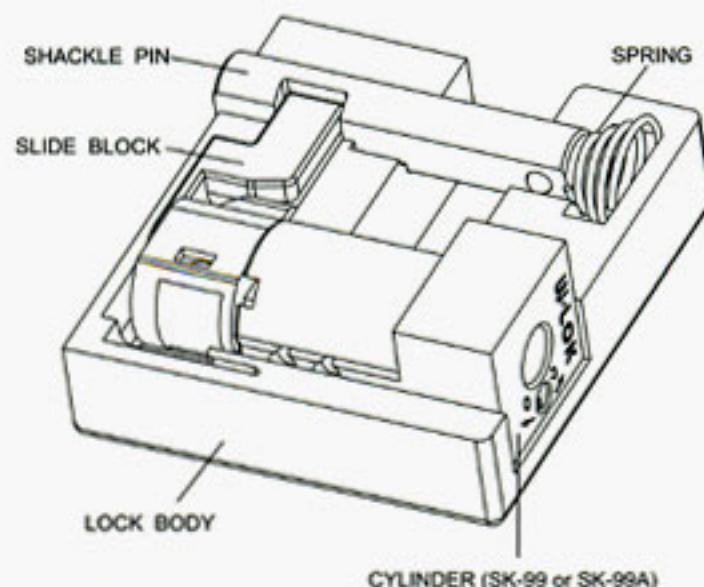


*Specifications are subject to change without notice.

UNIT: inch / (mm)

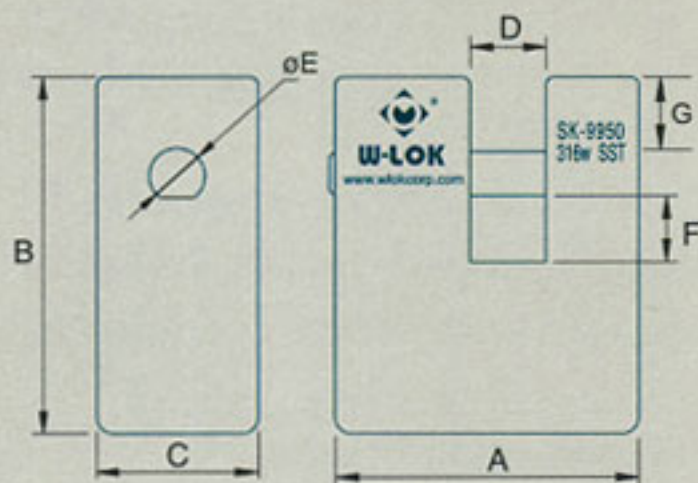
Model No.	A	B	C	ØE	F
SK-9910	1.89" (48.0)	2.13" (54.0)	1.01" (25.6)	5/8" (15.9)	4.01" (101.9)
SK-9911	1.89" (48.0)	2.13" (54.0)	1.01" (25.6)	1/2" (12.7)	3.57" (90.7)

*OEM or special spec. & material as per your request.



Stainless Steel Marslok

- 100% stainless steel with brushed or polished finish.
- 100-year mechanical warranty per W-LOK's terms and conditions.
- The lock body has raised shoulders to provide additional protection for the Martensitic stainless steel shackle.
- Every cylinder has a unique key code with the option of either 180-degree (for SK-99A series) or 270-degree (for SK-99 series) operating radius.
- All locks can be keyed different, alike or master keyed across all lock series.
- Removable cylinders are compatible and interchangeable within a lock series.
- Protected by worldwide patents.



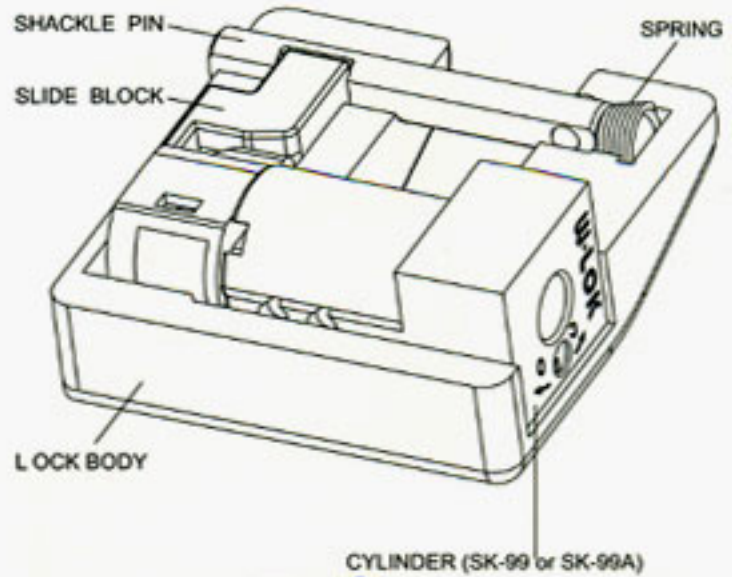
*Specifications are subject to change without notice.

UNIT: inch / (mm)

MODEL NO.	A	B	C	D	øE	F	G
SK-9950	2.13" (54.0)	2.42" (61.5)	1.14" (29.0)	0.51" (13.0)	3/8" (9.5)	0.59" (15.0)	0.35" (8.9)
SK-9951	2.13" (54.0)	2.42" (61.5)	1.14" (29.0)	0.51" (13.0)	3/8" (9.5)	0.67" (17.0)	0.27" (6.9)
SK-9952	2.13" (54.0)	2.42" (61.5)	1.14" (29.0)	0.51" (13.0)	1/2" (12.7)	0.59" (15.0)	0.22" (5.7)
SK-9953	2.13" (54.0)	2.62" (66.5)	1.14" (29.0)	0.51" (13.0)	3/8" (9.5)	0.59" (15.0)	0.55" (13.9)
SK-9954	2.13" (54.0)	2.62" (66.5)	1.14" (29.0)	0.51" (13.0)	1/2" (12.7)	0.59" (15.0)	0.42" (10.7)
SK-9955	2.24" (57.0)	2.68" (68.0)	1.14" (29.0)	0.87" (22.0)	3/8" (9.5)	0.75" (19.0)	0.37" (9.4)
SK-9956	2.24" (57.0)	2.68" (68.0)	1.14" (29.0)	0.87" (22.0)	1/2" (12.7)	0.75" (19.0)	0.24" (6.2)

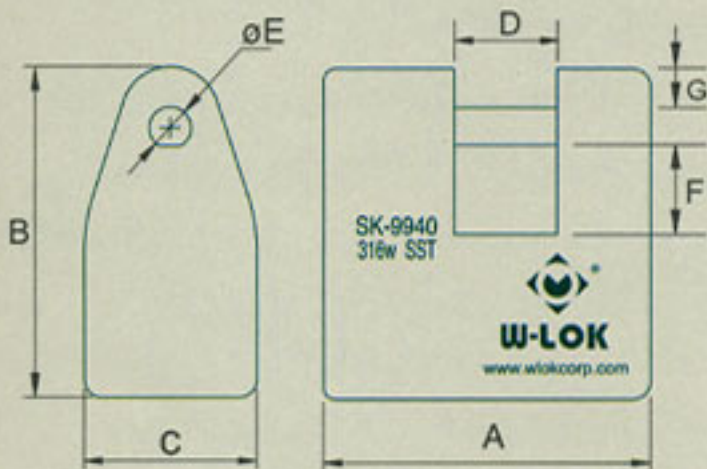
*OEM or special spec. & material as per your request.

W-LOK



Stainless Steel Viselok

- 100% stainless steel with brushed or polished finish.
- 100-year mechanical warranty per W-LOK's terms and conditions.
- The lock body has rounded raised shoulders to provide additional protection for the Martensitic stainless steel shackle.
- Every cylinder has a unique key code with the option of either 180-degree (for SK-99A series) or 270-degree (for SK-99 series) operating radius.
- All locks can be keyed different, alike or master keyed across all lock series.
- Removable cylinders are compatible and interchangeable within a lock series.
- Protected by worldwide patents.



*Specifications are subject to change without notice.

UNIT: inch / (mm)

Model No.	A	B	C	D	ØE	F	G
SK-9940	2.13" (54.0)	2.19" (55.5)	1.14" (29.0)	0.67" (17.0)	1/4" (6.4)	0.61" (15.5)	0.26" (6.6)
SK-9941	2.13" (54.0)	2.19" (55.5)	1.14" (29.0)	0.59" (15.0)	3/8" (9.5)	0.52" (13.3)	0.25" (6.3)
SK-9942	2.13" (54.0)	2.36" (60.0)	1.14" (29.0)	0.59" (15.0)	1/2" (12.7)	0.61" (15.5)	0.21" (5.3)
SK-9943	2.13" (54.0)	2.36" (60.0)	1.14" (29.0)	0.59" (15.0)	3/8" (9.5)	0.61" (15.5)	0.34" (8.5)

*OEM or special spec. & material as per your request.





CB-02



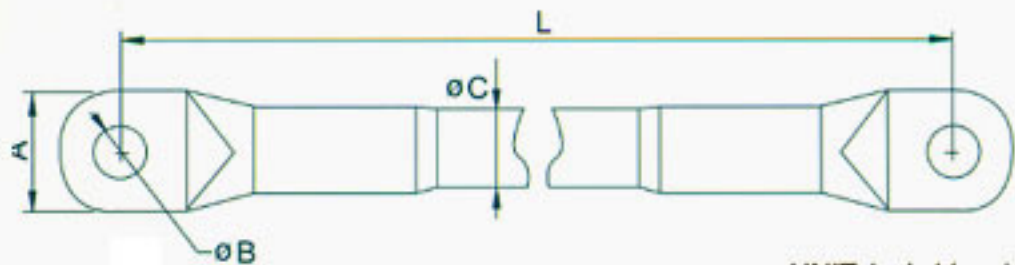
CB-04



CB-06

Stainless Steel Cable

- 100% stainless steel with brushed or polished finish.
- 100-year mechanical warranty per W-LOK's terms and conditions.
- The SK-2023 Versalok was specifically designed for use with cable. However, many of the W-LOK products can be used to lock the cable ends together.
- The cable is a 6x7x4+1x7x19 braid of aircraft quality grade stainless steel.
- PVC coating to protect against scratching.
- 300 metric tons of compression used to crimp fittings.

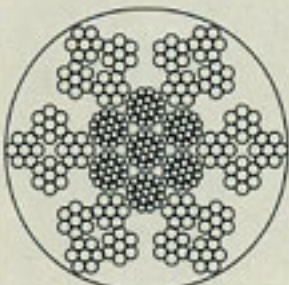


UNIT: inch / (mm)

*Specifications are subject to change without notice.

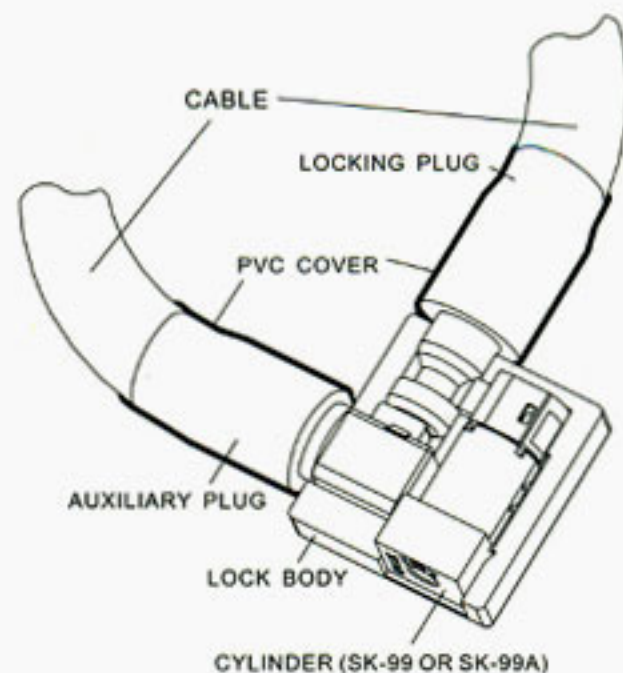
Model No.	A	ØB	ØC	L
CB-02	1.56" (39.5)	0.65" (16.5)	4/5" (20.0)	2" (609.6)
CB-04	1.56" (39.5)	0.65" (16.5)	4/5" (20.0)	4" (1219.2)
CB-06	1.56" (39.5)	0.65" (16.5)	4/5" (20.0)	6" (1828.8)
CB-12	1.56" (39.5)	0.65" (16.5)	4/5" (20.0)	12" (3657.6)

*OEM or special spec. & material as per your request.



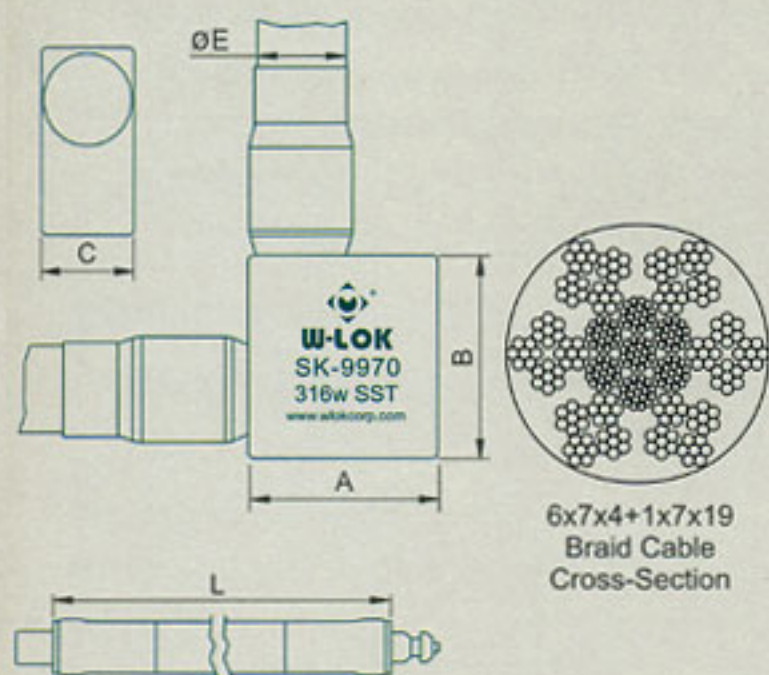
6x7x4+1x7x19
Braid Cable
Cross-Section

SK-9970-06



Stainless Steel Looplok

- 100% stainless steel with brushed or polished finish.
- 100-year mechanical warranty per W-LOK's terms and conditions.
- Cable is removable and interchangeable within the 9970 series.
- Every cylinder has a unique key code with the option of either 135-degree (for SK-99A series) or 225-degree (for SK-99 series) operating radius.
- All locks can be keyed different, alike or master keyed across all lock series.
- Removable cylinders are compatible and interchangeable within a lock series.
- PVC coating to protect against scratching.
- Protected by worldwide patents.

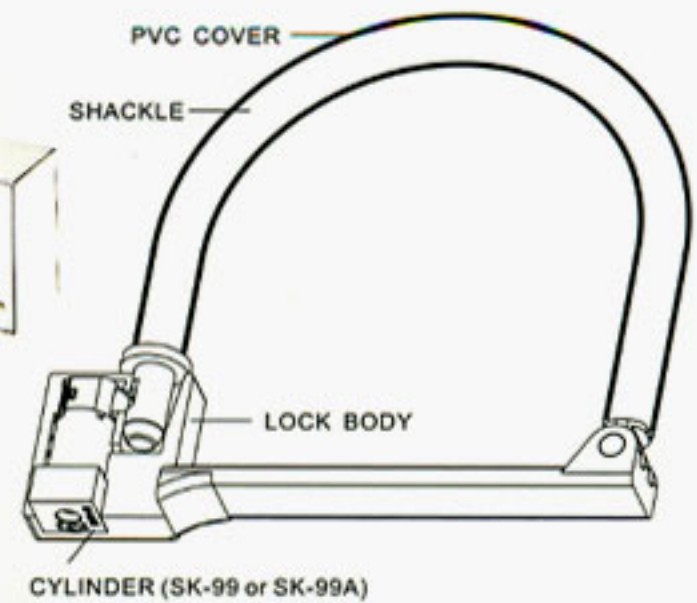
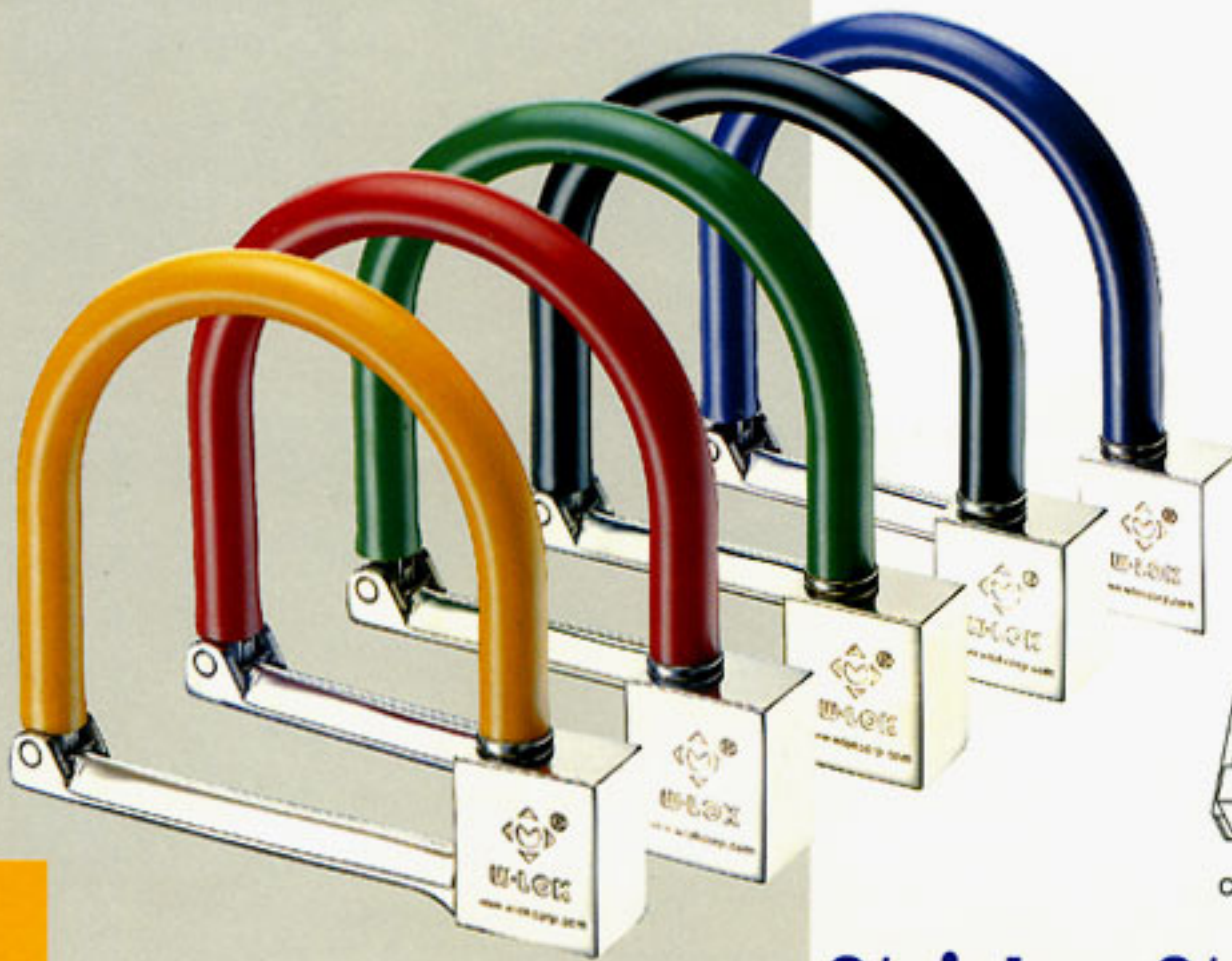


*Specifications are subject to change without notice.

UNIT: inch / (mm)

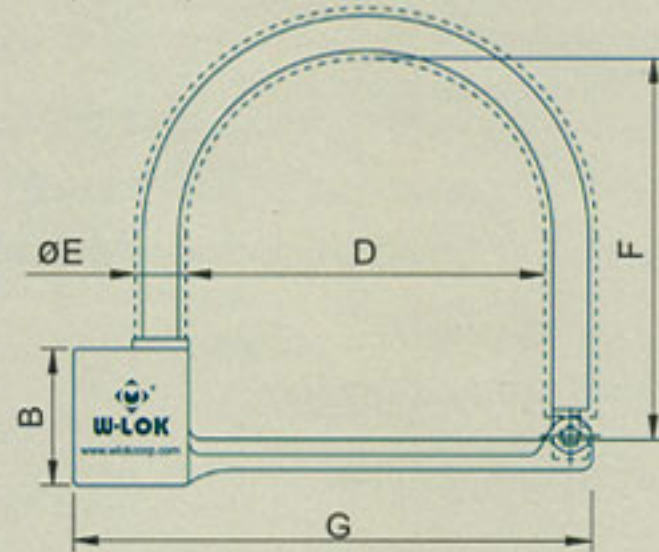
Model No.	A	B	C	ØE	L
SK-9970-02	1.97" (50.0)	2.13" (54.0)	1.01" (25.6)	4/5" (20.0)	2' (609.6)
SK-9970-04	1.97" (50.0)	2.13" (54.0)	1.01" (25.6)	4/5" (20.0)	4' (1219.2)
SK-9970-06	1.97" (50.0)	2.13" (54.0)	1.01" (25.6)	4/5" (20.0)	6' (1828.8)
SK-9970-12	1.97" (50.0)	2.13" (54.0)	1.01" (25.6)	4/5" (20.0)	12' (3657.6)

*OEM or special spec. & material as per your request.



Stainless Steel Clamplok

- 100% stainless steel with brushed or polished finish.
- 100-year mechanical warranty per W-LOK's terms and conditions.
- Every cylinder has a unique key code with the option of either 135-degree (for SK-99A series) or 225-degree (for SK-99 series) operating radius.
- All locks can be keyed different, alike or master keyed across all lock series.
- Removable cylinders are compatible and interchangeable within a lock series.
- PVC covers are available in black, blue, green, red and yellow.
- Protected by worldwide patents.



*Specifications are subject to change without notice.

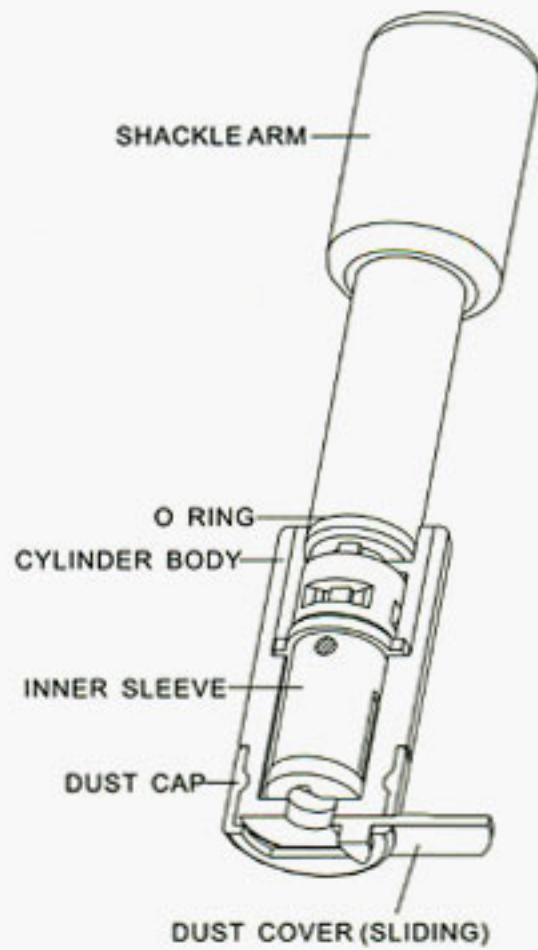
UNIT: inch / (mm)

MODEL NO.	A	B	C	D	ØE	F	G
SK-9960	1.85" (47.0)	2.13" (54.0)	1.22" (31.0)	5.51" (140.0)	4/5" (20.0)	5.94" (150.8)	7.99" (202.9)

*OEM or special spec. & material as per your request.

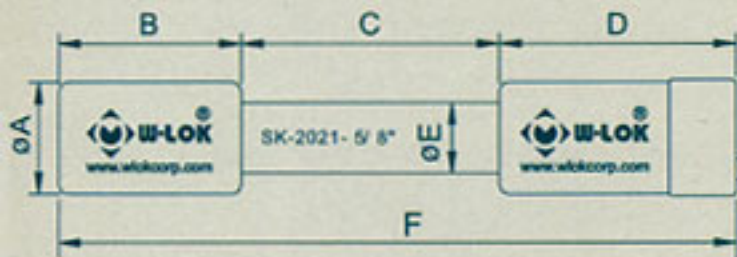
W-LOK





Stainless Steel Versalok

- 100% stainless steel with brushed or polished finish.
- 100-year mechanical warranty per W-LOK's terms and conditions.
- Every cylinder has a unique key code with the option of either 180-degree (for SK-20A series) or 270-degree (for SK-20 series) operating radius.
- All locks can be keyed different, alike or master keyed across all lock series.
- Protected by worldwide patents.



*Specifications are subject to change without notice.

UNIT: inch / (mm)

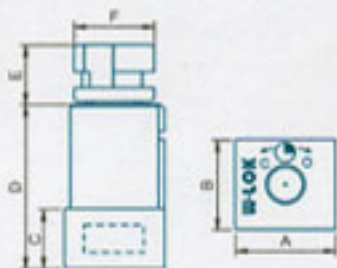
Model No.	ØA	B	C	D	ØE	F
SK-2021	1.00" (25.4)	1.65" (42.0)	2.28" (58.0)	2.09" (53.0)	5/8" (15.9)	6.02" (153.0)
SK-2022	1.00" (25.4)	1.65" (42.0)	2.28" (58.0)	2.09" (53.0)	1/2" (12.7)	6.02" (153.0)
SK-2023	1.00" (25.4)	1.65" (42.0)	1.00" (25.5)	2.09" (53.0)	5/8" (15.9)	4.74" (120.5)
SK-2024	1.00" (25.4)	1.65" (42.0)	0.52" (13.3)	2.09" (53.0)	1/2" (12.7)	4.26" (108.3)

*OEM or special spec. & material as per your request.

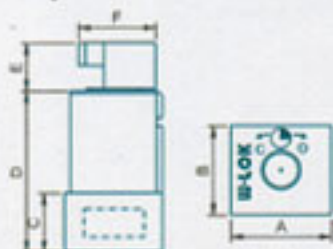




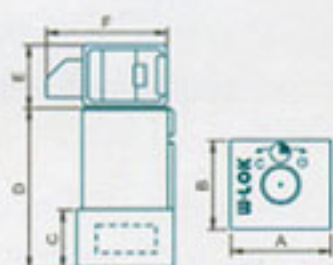
SK-97(S)A



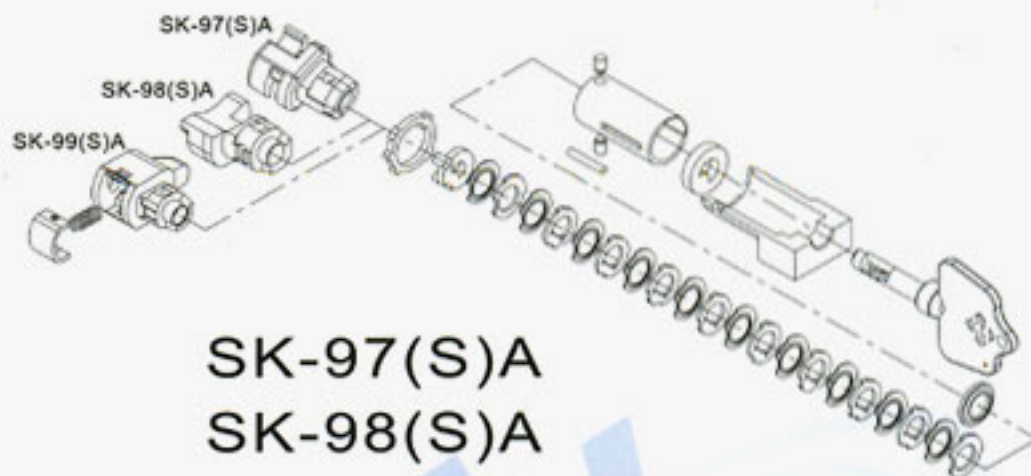
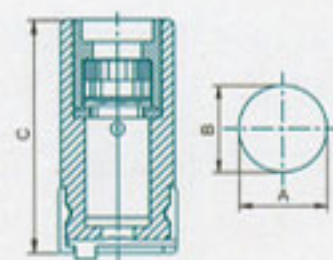
SK-98(S)A



SK-99(S)A



SK-20A

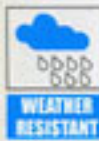


SK-97(S)A
SK-98(S)A
SK-99(S)A

Stainless Steel A-Cylinder

- 100% stainless steel with special heat treatment with natural SST color or zinc flake/chromate coating.
- Every cylinder has a unique key code with 180 degree operating radius.
- Each cylinder can be keyed different, alike or master keyed across all lock series.
- Removable cylinders are compatible and interchangeable within a lock series.
- Key shank made of Nickel Silver Alloy NM6.
- Key duplication factory controlled by the serial number and password.
- Protected by worldwide patents.

W-LOK



*Specifications are subject to change without notice

UNIT: inch / (mm)

Model No.	A	B	C	D	E	F
SK-97(S)A	0.83" (21.0)	0.75" (19.0)	0.52" (13.2)	1.39" (35.4)	0.49" (12.9)	0.69" (17.5)
SK-98(S)A	0.83" (21.0)	0.75" (19.0)	0.52" (13.2)	1.39" (35.4)	0.45" (11.5)	0.65" (16.5)
SK-99(S)A	0.83" (21.0)	0.75" (19.0)	0.52" (13.2)	1.39" (35.4)	0.51" (13.0)	0.98" (25.0)
SK-20A	1.00" (25.4)	1.00" (25.4)	2.09" (53.0)	N/A	N/A	N/A

W-LOK



W-LOK

Stainless Steel Security Solutions



Absolute Tough



W-LOK Corp.
W-LOK

Distribution or ODM of our products are welcome

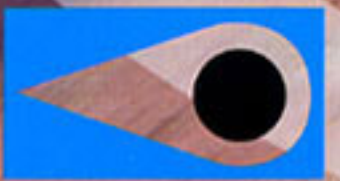


W-LOK

When Failure Is Not Option



Svensk Brand & Sakerhets Certifiering AB



TFFN 701
KL C


Distribution or ODM of our products are welcome.



Applications

- Secure your work sites
- Secure your home
- Secure your property



 **W-LOK Corp.**

-  **CUT RESISTANT**
-  **FORCE RESISTANT**
-  **WEATHER RESISTANT**
-  **PICK RESISTANT**
-  **CORROSION RESISTANT**
-  **LOW TEMP TESTED**

- W-LOK** introduces new security locks with all components made of 100% stainless steel.
- Every **W-LOK** cylinder has a unique key code with the option of either 180-degree (for SK-SA series) or 270-degree (for SK-S series) operating radius.
- W-LOK** has a lock for almost every application. Contact **W-LOK** to find out which locks will best fit your long-term needs.
- W-LOK** locks are certified by Svensk Brand & Sakerhets Certifiering AB as shown in the chart inside.
- W-LOK** locks are your ultimate choice for all security requirements.

Ultimate Choice



W-LOK



Stainless Steel Security Solutions



W-LOK

Stainless Steel Security Solutions



Absolute Tough



W-LOK Corp.
861 Productions Place, Holland, MI 49423 USA
Phone: 616-355-4015, Fax: 616-355-4295,
Toll Free: 877-355-WLOK (9565)
www.wlokcorp.com, E-Mail: office@wlokcorp.com

Distribution or ODM of our products are welcome

Stainless Steel

Security Solutions



HARDNESS TEST



ENVIRONMENTAL TEST



SALT SPRAY TEST

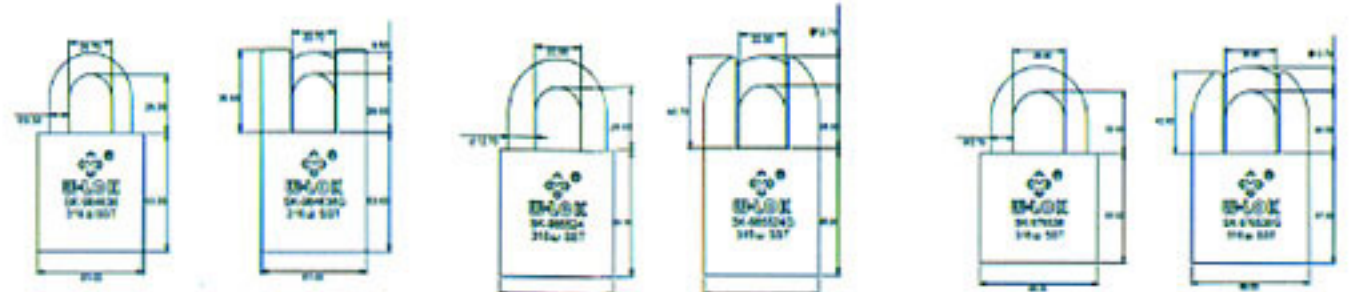


DRILL RESISTANT TEST

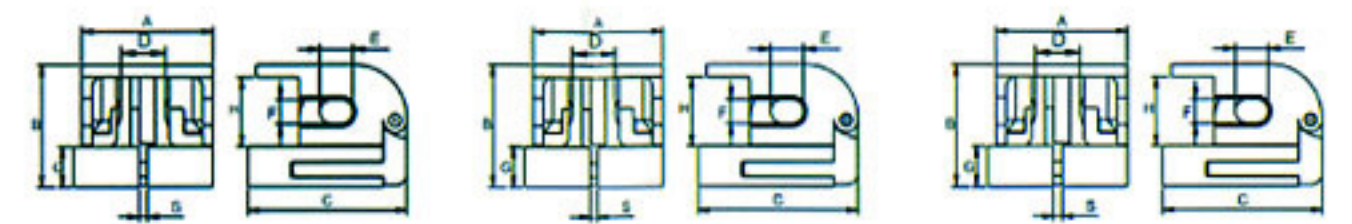


FREEZING TEST

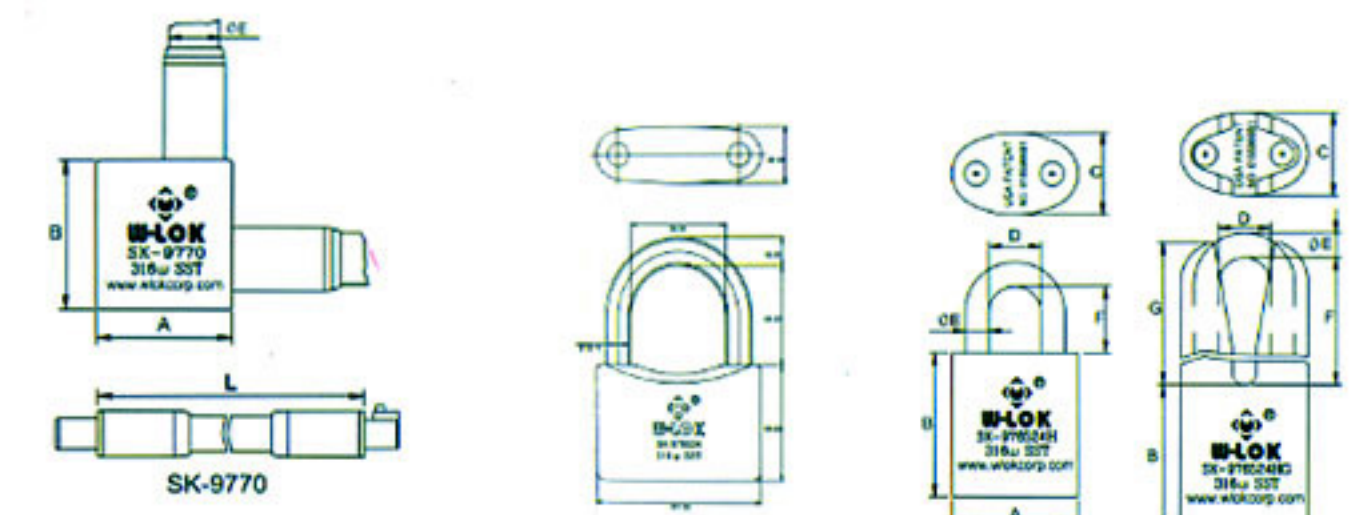
Body		Shackle		Keying		Certified By SBSC Conforming to EN 12320, SSFN 014 & 018			
Model	Material	Diameter inch/mm	Inch/mm	Master-key Key alike	Access Control	EN Grade	SSFN 014 Class	Certificate No.:	
SK-976524	316w Stainless Steel	1/2"(12.7)	0.83"(21.0) 6.0"(152.4)	1.20"(30.4)	Yes	Yes	6	5	01-1295
SK-977524		1/2"(12.7)	0.83"(21.0) 6.0"(152.4)	1.26"(32.0)	Yes	Yes			
SK-976524G	316w Stainless Steel	1/2"(12.7)	0.83"(21.0) 6.0"(152.4)	1.20"(30.4)	Yes	Yes	6	5	01-1296
SK-977524G		1/2"(12.7)	0.83"(21.0) 6.0"(152.4)	1.26"(32.0)	Yes	Yes			
SK-976624	316w Stainless Steel	1/2"(12.7)	0.83"(21.0) 6.0"(152.4)	1.20"(30.4)	Yes	Yes	6	5	01-1557
SK-977624		1/2"(12.7)	0.83"(21.0) 6.0"(152.4)	1.26"(32.0)	Yes	Yes			
SK-976624G	316w Stainless Steel	1/2"(12.7)	0.83"(21.0) 6.0"(152.4)	1.20"(30.4)	Yes	Yes	6	5	01-1556
SK-977624G		1/2"(12.7)	0.83"(21.0) 6.0"(152.4)	1.26"(32.0)	Yes	Yes			
SK-976524H	316w Stainless Steel	1/2"(12.7)	0.83"(21.0) 6.0"(152.4)	1.20"(30.4)	Yes	Yes	6	5	01-1554
SK-977524H		1/2"(12.7)	0.83"(21.0) 6.0"(152.4)	1.26"(32.0)	Yes	Yes			
SK-976524HG	316w Stainless Steel	1/2"(12.7)	0.83"(21.0) 6.0"(152.4)	1.20"(30.4)	Yes	Yes	6	5	01-1553
SK-977524HG		1/2"(12.7)	0.83"(21.0) 6.0"(152.4)	1.26"(32.0)	Yes	Yes			
SK-976624H	316w Stainless Steel	1/2"(12.7)	0.83"(21.0) 6.0"(152.4)	1.20"(30.4)	Yes	Yes	6	5	01-1292
SK-977624H		1/2"(12.7)	0.83"(21.0) 6.0"(152.4)	1.26"(32.0)	Yes	Yes			
SK-976624HG	316w Stainless Steel	1/2"(12.7)	0.83"(21.0) 6.0"(152.4)	1.20"(30.4)	Yes	Yes	6	5	01-1294
SK-977624HG		1/2"(12.7)	0.83"(21.0) 6.0"(152.4)	1.26"(32.0)	Yes	Yes			
SK-978524	316w Stainless Steel	1/2"(12.7)	2.21"(56.0) 12.00"(304.8)	2.28"(58.0)	Yes	Yes	6	5	01-1297
SK-978558		5/8"(15.9)	2.21"(56.0) 12.00"(304.8)	2.17"(55.0)	Yes	Yes			
SK-979558	316w Stainless Steel	5/8"(15.9)	2.21"(56.0) 12.00"(304.8)	3.98"(101.0)	Yes	Yes	6	5	01-1298
SK-985524		1/2"(12.7)	0.71"(18.0) 6.0"(152.4)	0.84"(21.3)	Yes	Yes			
SK-986524	316w Stainless Steel	1/2"(12.7)	0.83"(21.0) 6.0"(152.4)	1.13"(28.8)	Yes	Yes	5	4	01-1299
SK-987524		1/2"(12.7)	0.83"(21.0) 6.0"(152.4)	1.26"(32.0)	Yes	Yes			
SK-985524G	316w Stainless Steel	1/2"(12.7)	1.01"(26.0)	0.84"(21.3)	Yes	Yes	5	4	01-1297
SK-986524G		1/2"(12.7)	0.93"(23.6)	1.13"(28.8)	Yes	Yes			
SK-987524G	316w Stainless Steel	1/2"(12.7)	1.50"(38.1)	1.26"(32.0)	Yes	Yes	5	4	01-1298
SK-985624		1/2"(12.7)	1.50"(38.1)	1.26"(32.0)	Yes	Yes			
SK-986624	316w Stainless Steel	1/2"(12.7)	0.71"(18.0) 6.0"(152.4)	0.84"(21.3)	Yes	Yes	5	4	01-1299
SK-987624		1/2"(12.7)	0.83"(21.0) 6.0"(152.4)	1.13"(28.8)	Yes	Yes			
SK-985624G	316w Stainless Steel	1/2"(12.7)	1.02"(26.0)	0.84"(21.3)	Yes	Yes	5	4	01-1297
SK-986624G		1/2"(12.7)	0.93"(23.6)	1.13"(28.8)	Yes	Yes			
SK-987624G	316w Stainless Steel	1/2"(12.7)	1.50"(38.1)	1.26"(32.0)	Yes	Yes	5	4	01-1298
SK-984538		1/2"(12.7)	1.50"(38.1)	1.26"(32.0)	Yes	Yes			
SK-985538	316w Stainless Steel	3/8"(9.5)	0.71"(18.0) 6.0"(152.4)	0.82"(20.7)	Yes	Yes	4	3	01-1299
SK-986538		3/8"(9.5)	0.71"(18.0) 6.0"(152.4)	0.99"(25.2)	Yes	Yes			
SK-984538G	316w Stainless Steel	3/8"(9.5)	0.83"(21.0) 6.0"(152.4)	1.26"(32.0)	Yes	Yes	4	3	01-1297
SK-985538G		3/8"(9.5)	1.02"(26.0)	0.82"(20.7)	Yes	Yes			
SK-986538G	316w Stainless Steel	3/8"(9.5)	1.10"(28.0)	0.99"(25.2)	Yes	Yes	4	3	01-1298
SK-984638		3/8"(9.5)	1.26"(32.0)	1.26"(32.0)	Yes	Yes			
SK-985638	316w Stainless Steel	3/8"(9.5)	0.71"(18.0) 6.0"(152.4)	0.85"(21.7)	Yes	Yes	4	3	01-1299
SK-986638		3/8"(9.5)	0.71"(18.0) 6.0"(152.4)	0.84"(21.3)	Yes	Yes			
SK-984638G	316w Stainless Steel	3/8"(9.5)	0.83"(21.0) 6.0"(152.4)	1.26"(32.0)	Yes	Yes	4	3	01-1297
SK-985638G		3/8"(9.5)	0.91"(23.0)	0.85"(21.7)	Yes	Yes			
SK-986638G	316w Stainless Steel	3/8"(9.5)	1.02"(26.0)	0.84"(21.3)	Yes	Yes	4	3	01-1298
SK-984638H		3/8"(9.5)	1.26"(32.0)	1.26"(32.0)	Yes	Yes			
SK-976538	316w Stainless Steel	3/8"(9.5)	0.83"(21.0) 6.0"(152.4)	1.26"(32.0)	Yes	Yes	4	3	01-1299
SK-976538G		3/8"(9.5)	1.26"(32.0)	1.26"(32.0)	Yes	Yes			
SK-976538H	316w Stainless Steel	3/8"(9.5)	0.83"(21.0) 6.0"(152.4)	1.26"(32.0)	Yes	Yes	4	3	01-1555
SK-976538HG		3/8"(9.5)	3.0"(76.2) 6.0"(152.4)	1.26"(32.0)	Yes	Yes			
SK-100L24	316w Stainless Steel	Hold Shackle			N/A	N/A	6	5	
SK-100R24		1/2"(12.7)			N/A	N/A	6	5	01-1590
SK-75L24		1/2"(12.7)			N/A	N/A	6	5	
SK-75R24		1/2"(12.7)			N/A	N/A	6	5	
SK-70L38		3/8"(9.5)			N/A	N/A	5	4	01-1591
SK-70R38		3/8"(9.5)			N/A	N/A	5	4	
SK-70L24		1/2"(12.7)			N/A	N/A	5	4	
SK-70R24	1/2"(12.7)			N/A	N/A	5	4		
		Di. of Cable	L of Cable				TFFN 701	INTYG No.:	
SK-9770	316w Stainless Steel	7/8"(22.0)	39"(76.2) 150"(3810)		Yes	Yes	C	01-1550	
CCB	316w Stainless Steel	7/8"(22.0)	39"(76.2) 150"(3810)				C	01-1549	



SK-984638(G)-SK-987624(G) Padlok
SK-984538(G)-SK-985524(G) Ovallok
SK-976538(G)-SK-977524(G) Ovallok



SK-75L24(G)-SK-75R24(G) HASP
SK-70L38(G)-SK-70R38(G)
SK-70L24(G)-SK-70R24(G) HASP
SK-100L24(G)-SK-100R24(G) HASP



SK-9770
SK-978524-SK-978558 Megalok
SK-976538H(G)-SK-977524H(G) Maxilok



EN 12320 TABLE 2 - SECURITY REQUIREMENT

Requirement clause number	Requirement	Test method clause number	Test parameter	Grade						Unit
				1	2	3	4	5	6	
4.3.1	Minimum number of effective key differs	5.4.1	n	300	1000	2500	5000	10000	20000	-
4.3.2	Non-interpassing of keys with just one interval differ torque on key	5.4.2	M1	1	1	1.5	1.5	1.5	1.5	Nm
4.3.3	Resistance to force on cylinder plug or locking mechanism	5.4.3	F1	-	-	4	5	10	15	kN
4.3.4	Resistance to torque on cylinder plug or locking mechanism	5.4.4	M2	-	2.5	5	15	20	30	Nm
4.3.5	Resistance to pulling of shackle and staple	5.4.5	F2	3	5	15	30	70	100	kN
4.3.6	Resistance to twisting of shackle and staple	5.4.6	M3	40	100	200	450	1200	2500	Nm
4.3.7	Resistance to cutting of shackle and staple	5.4.7	F3	5	15	25	35	70	100	kN
4.3.8	Resistance to impact on padlock body, shackle and staple at low temperature	5.4.8	T	-	-	-20	-20	-40	-40	°C
			m	-	-	1250	3050	6530	7150	B
			h	-	-	800	1000	1400	1500	mm
4.3.9	Resistance to drilling of padlock body, shackle and staple	5.4.9	t	-	-	-	2	4	8	min
4.3.10	Resistance to sawing of padlock body, shackle and staple	5.4.10	t	-	-	-	2	4	8	min

NOTE: Classification is in six grades where grade 1 had the lowest requirement.



TWIST RESISTANT TEST



SAW RESISTANT TEST



DRILL RESISTANT TEST



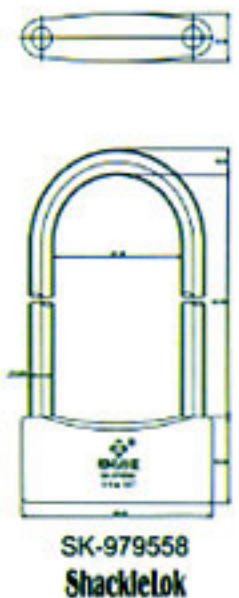
IMPACT RESISTANT TEST



PULL RESISTANT TEST



CUT RESISTANT TEST



SK-979558 ShackleLok